

(-196°C)UTALM / BF6KC CRY TEMPERATURE***CF8M material******Floating Ball Valve, ASME CLASS 150 / CLASS 300*****Features**

Reduced bore.

Design Standards: ISO 17292:2004 / EN 12516-1 / ASME B16.34:2009
/ BS 5351*

*Although it is obsolete, it is adopted because most customers specify it

Flanges: ASME B16.5:1996, RF

Lengths/Face-to-face: ASME B16.10:2010

Leak test: EN 12266-1 Rate A / API 598, MESC SPE 77/200

(Only the % of valves required by the customer)

Top flange: ISO 5211:2001 and CAPI: 2002

Seats: Modified PTFE HYPATITE

Stem: Anti-static

Autoadjustable packing

NACE MR0175

Cryogenic valve citation standard according to Shell specification MESC

Approvals

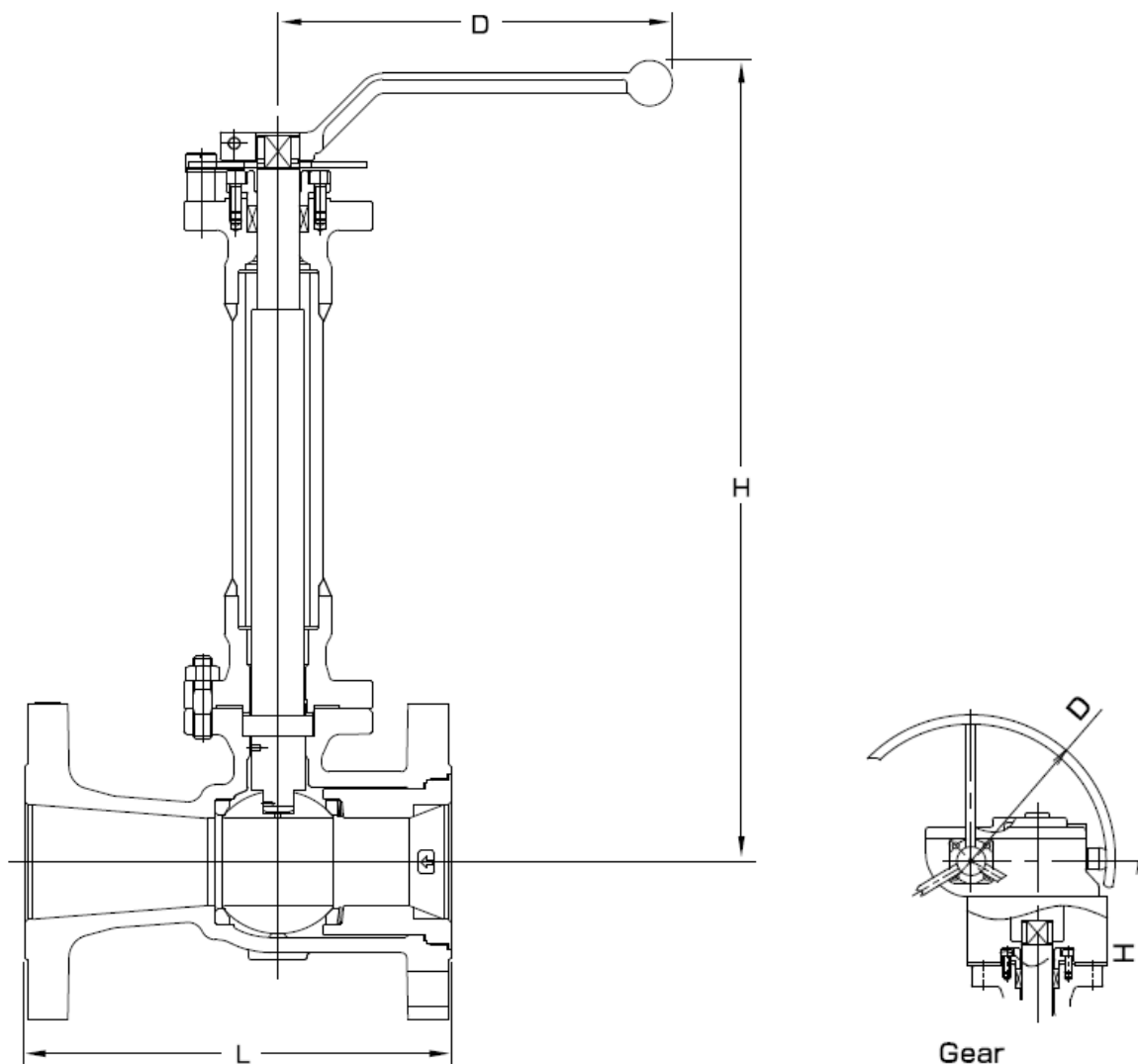
Fire test Certification: API 607 ed. 5th / EN 10497:2004

PED 2014/68/EU approval for CE marked products

SIL approval

EAC TR CU approval

Dimensions



Class 150 – 150UTALM											
General Dimensions [mm]											
Nominal Size	inch.	½"	¾"	1"	1½"	2"	3"	4"	6"*	8"*	10"*
	mm.	15	20	25	40	50	80	100	150	200	250
L		108	117	127	165	178	203	229	267	292	330
H		312	314	276,5	405	421	532	548	658	712,5	836,5
D		140	140	160	180	230	400	400	400	400	500

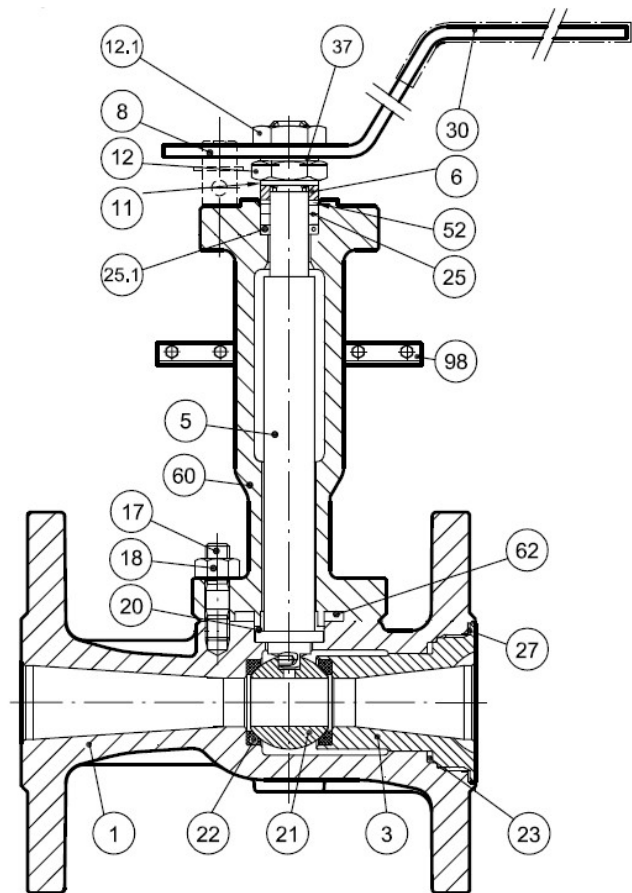
(*) Manual Gear

Class 300 – 300UTALM											
General Dimensions [mm]											
Nominal Size	inch.	½"	¾"	1"	1½"	2"	3"	4"	6"*	8"*	10"*
	mm.	15	20	25	40	50	80	100	150	200	250
L		140	152	165	190	216	283	305	403	419	457
H		312	314	268	405	421	532	548	711	745,5	836,5
D		140	140	160	180	230	400	400	500	500	500

(*) Manual Gear

Material List

CCC	DESCRIPTION	STAINLESS STEEL
1	Body	ASTM A351 Gr.CF8M
3	Insert	ASTM A276/A479 Type 316 ASTM A182 Gr.F316 ASTM A351 Gr.CF8M
5	Stem	ASTM A564 Type 630
6	Gland Ring	ASTM A479 Type 316
8	Stop Pin	Stainless Steel
11	Spring Washer	Stainless Steel
12	Slit Nut	Stainless Steel
12.1	Handle Nut	Stainless Steel
17	Bonnet Stud Bolt	ASTM A193 Gr.B8M cl.1
18	Bonnet Nut	ASTM A194 Gr.8M
21	Ball	ASTM A276/A479 Type 316 ASTM A182 Gr.F316 ASTM A351 Gr.CF8M
22	Seat (Body side)	PCTFE
22.1	Seat (Insert side)	H-PTFE
23	Gasket	PTFE
25	Gland Packing	Graphite
26	Gland Packing	P4519K
27	Body Seal	Graphite
30	Handle	Stainless Steel
37	Coated Washer	Stainless Steel
41	Key Lock Plate	Stainless Steel
52	Packing Washer	PTFE + 15% Glass Filled
60	Bonnet	ASTM A479 Type 316L ASTM A182 Gr.F316L ASTM A312 Type 316L
62	Bonnet Gasket	316L+Graphite
98	Drip Plate	Stainless Steel



Operation Torque (BTO)

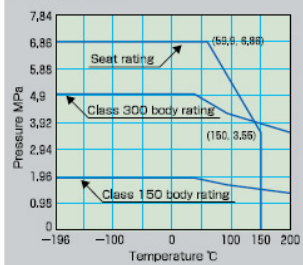
BF6KC CRY				MAST (N-m)
VALVE SIZE		MAXIMUM DIFFERENTIAL PRESSURE (bar) / OPERATING TORQUE (N-m)		
NPS	DN	Class 150	Class 300	
1/2"	15	7	10	38
3/4"	20	7	10	38
1"	25	20	25	94
1 1/2"	40	50	50	316
2"	50	80	70	564
3"	80	110	160	1183
4"	100	180	340	1183
6"	150	300	300	2353

NOTES:

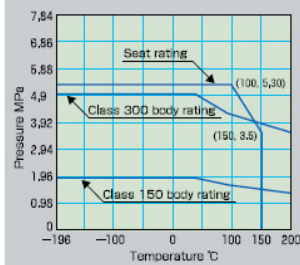
- * All maximum torque do not have any safety margin. At least 220% (Ex.Max.BTO x 2.2) of safety margin shall be considered when actuator selection is carried out. Recommended safety margin is changed by working condition.
- * Stem material: A564 630 H1150M.

P-T Rating

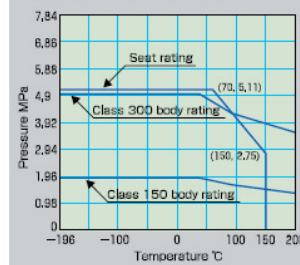
150UTALM 1/2~1
300UTALM 1/2~1



150UTALM 1 1/2~3
300UTALM 1 1/2~3



150UTALM4 G-150UTALM6
300UTALM4 G-300UTALM6



G-150UTALM8 G-150UTALM10
G-300UTALM8 G-300UTALM10

