

(-46 C)SCTAZXL/BF6KZ LOW TEMPERATURE

LCC and LCB material

Floating Ball Valve, ASME CLASS 150 / CLASS 300



Features

Reduced bore.

Design Standards: ISO 17292:2004/ API 608:2012/BS 5351:1986*

*Although it is obsolete, it is adopted because most customers specify it.

Flanges: ASME B16.5:1996, RF

Lengths/Face-to-face: ASME B16.10:2010

Leak test: EN 12266-1 Rate A / API 598, MESC SPE 77/200 (Only the % of valves required by the customer)

Top flange: ISO 5211:2001 and CAPI: 2002

Seats: Modified PTFE HYPATITE

Stem: Anti-static

Autoadjustable packing

NACE MR0175

Approvals

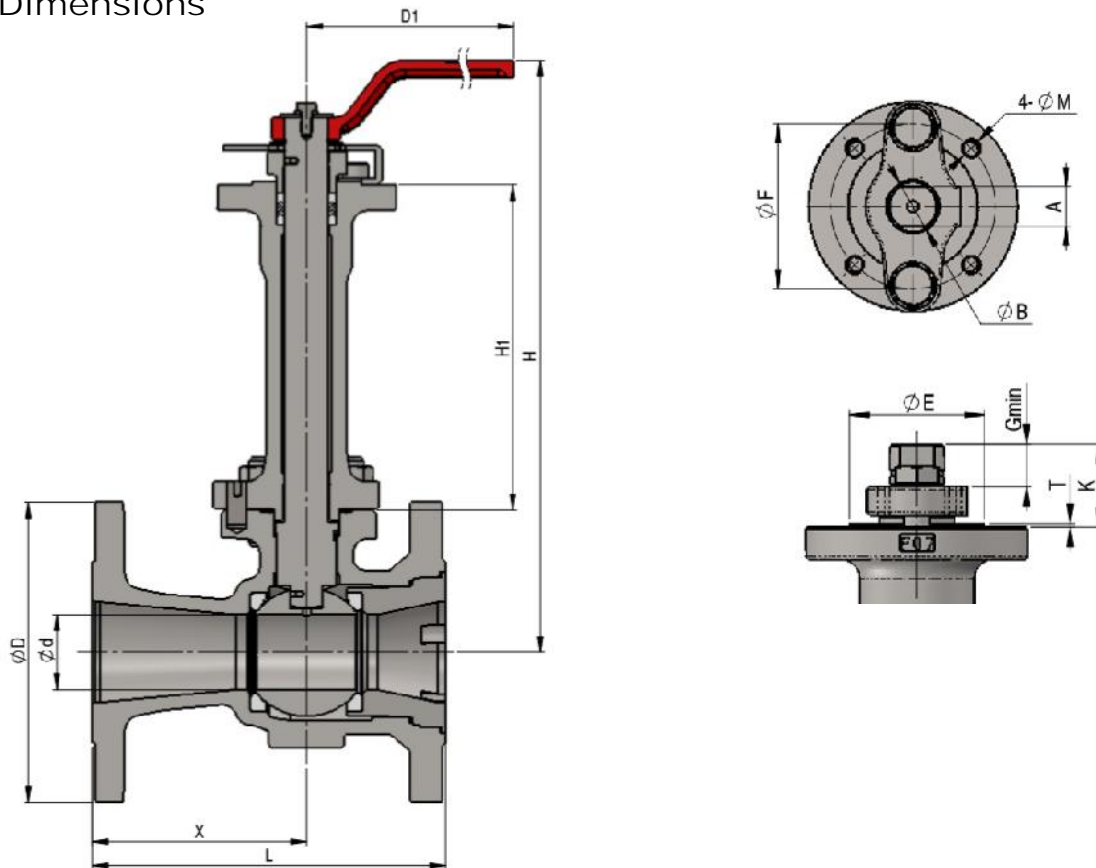
Fire test Certification: API 607 ed. 6th

PED 2014/68/UE approval for CE marked products.

Marine Division certificate

ATEX 2014/34/UE approval

Dimensions

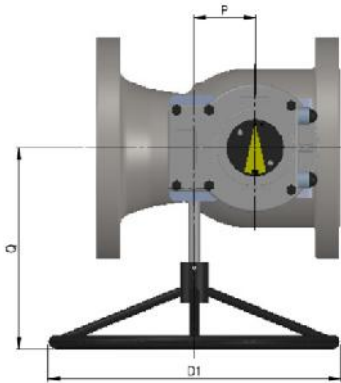


Class 150																	
Size	General Dimensions [mm]														Kv	Weight	
inch.	$\varnothing d$	$\varnothing D$	L	X	D1	H	H1	A	B	E	F	G	K	T	ISO 5211	[m ³ /h] [bar]	[Kg]
½"	10	89	108	54	130	213	120	7	10	25	36	8,5	18	1	F03-S	6,9	2,5
¾"	12.5	99	117	61	130	215	120	7	10	25	36	8,5	18	1	F03-S	10,3	2,9
1"	19	108	127	73,5	130	230	120	9	12	25	36	9	22	1	F03	20,76	3,5
1½"	25	127	165	107	160	270	143	14	18	35	50	14	30	1,5	F05	83,0	6,8
2"	38	152	178	108	230	300	165	17	22	55	70	17	34	1,5	F07	121,9	12,8
3"	58	190	203	115	400	367	194	22	28	70	102	22	45	2	F10	256,0	26,8
4"	76	229	229	128	400	383	194	22	28	70	102	22	45	2	F10	417,8	34,5
6"*	100	279	267	151	-	474	206.5	27	36	85	125	27	52	2	F12	827,8	
8"*	151	343	292	161	-	594	236	36	48	100	140	36	63	2	F14	1388,3	
10"*	187	406	330	166	-	668	268	46	60	130	165	46	79	2	F16	2249,0	

(*) Manual Gear

Class 300																	
Size	General Dimensions [mm]														Kv	Weight	
inch.	$\varnothing d$	$\varnothing D$	L	X	D1	H	H1	A	B	E	F	G	K	T	ISO 5211	[m ³ /h] [bar]	[Kg]
½"	10	95	140	80	130	213	120	7	10	25	36	8,5	18	1	F03-S	6,9	4,25
¾"	12.5	117	152	87,5	130	215	120	7	10	25	36	8,5	18	1	F03-S	10,3	5,25
1"	19	124	165	103	130	230	120	9	12	25	36	9	22	1	F03	20,76	5,5
1½"	25	156	190	120	160	270	143	14	18	35	50	14	30	1,5	F05	83,0	10,1
2"	38	165	216	126	230	300	165	17	22	55	70	17	34	1,5	F07	121,9	15,5
3"	58	210	283	174	700	396	194	22	28	70	102	22	45	2	F10	256,0	34,5
4"	76	254	305	189,5	700	413	194	22	28	70	102	22	45	2	F10	417,8	45,5
6"*	100	318	403	241	-	474	206.5	27	36	85	125	27	52	2	F12	827,8	
8"*	151	381	419	273,5	-	600	236	36	48	100	140	36	63	2	F14	1388,3	
10"*	187	444	457	285	-	668	268	46	60	130	165	46	79	2	F16	2249,0	

(*) Manual Gear



Gear Dimensions [mm] SCTAZX								
Size	Class 150				Class 300			
Inch.	Gear Type	D1	P	Q	Gear Type	D1	P	Q
6"	AB 550	300	71	283	AB 550	300	71	283
8"	AB 880	400	86	306	AB 1250	500	104,5	347
10"	AB 1250	500	104,5	347	AB 2000 LB	500	53	349

Note: Other Gear model as optional.

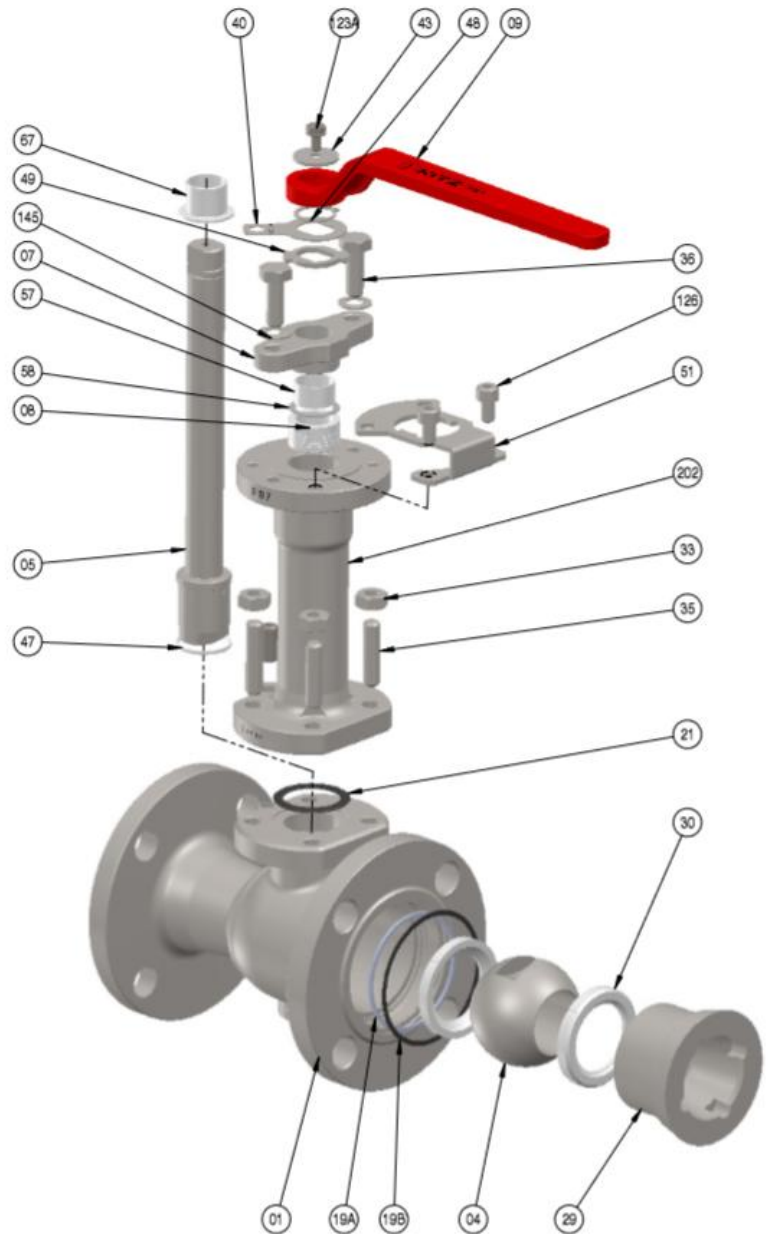
Operation Torque (BTO)

Maximum differential pressure [barg] / Operation torque [Nm] *				MAST [Nm]
Valve Size		Class 150	Class 300	
15	½"	4,0	5,1	16,3
20	¾"	4,5	5,5	16,3
25	1"	7,8	9,1	35,7
40	1½"	13,0	19,5	128
50	2"	28,6	39,0	232
80	3"	52,0	114,0	493
100	4"	84,5	208,0	493
150	6"	163,0	390,0	965
200	8"	494,0	-	2288
250	10"	845,0	-	4645

*All torque values include a 30% safety factor. Values are for clean, static water at ambient temperature.

Material List

CCC	DESCRIPTION	CARBON STEEL
1	Body	ASTM A352 Gr.LCC
3	Stem	ASTM A182 Gr.F316 ASTM A479 Type 316
4	Ball	ASTM A479 Type 316 ASTM A351 Gr.CF8M ASTM A182 Gr.F316
7	Gland	ASTM A351 Gr.CF8M
8	Gland Packing	Flexible Graphite
9	Handle	Carbon Steel
14	Pin	Stainless Steel
19A	Gasket	PTFE
19B	Gasket	Flexible Graphite
21	Gasket (SPW)	304ss + Graphite
29	Insert	ASTM A352 Gr.LCC ASTM A350 Gr.LF2
30	Seat	H-PTFE
33	Nut extension	ASTM A194 Gr.7M
35	Stud bolt extension	ASTM A320 Gr.L7M
36	Gland bolt	Stainless Steel
40	Key lock plate	Stainless Steel
43	Handlelock plate	Stainless Steel
47	Stem bearing	PTFE + Glass Filled
48	Snap bearing	Stainless Steel
49	Stopper	Stainless Steel
51	Stopper plate	Stainless Steel
57	Gland bush	PTFE + Glass Filled
58	Gland washer	ASTM A240 Type 304 ASTM A276 Type 304
67	Stem bearing	PTFE + Glass Filled
123A	Handle lock plate bolt	Stainless Steel
124	Spring & Spin	ASTM A313 Type 316 ASTM A276 Type 316
126	Stopper plate bolt	Stainless Steel
145	Coned disc springs	Stainless Steel
202	Bonnet extension	ASTM A352 Gr.LCC ASTM A350 Gr.LF2



* Various stem and seats materials are available as optional.
 Note: Components arrangement may vary depending on the size.

P-T Rating

Class 150		
Pressure-Temperature Ratings [bar]		
Temperature	Size	1/2" ~ 10"
		LCC or LCC/LCB
-46°C ~ 38°C		19,8
150°C		15,8

Class 300									
Pressure-Temperature Ratings [bar]									
Temperature	Size	1/2" ~ 1"		1 1/2" ~ 3"		4" ~ 6"		8" ~ 10"	
		LCC or LCC/LCB	LCB	LCC or LCC/LCB	LCB	LCC or LCC/LCB	LCB	LCC or LCC/LCB	LCB
-46°C ~ 38°C		51,7	48	51,7	48	51,7	48	40	
150°C		40,3		37,3		28,5		22,6	

