

SB-80

Floating Ball Valve, Soft seated



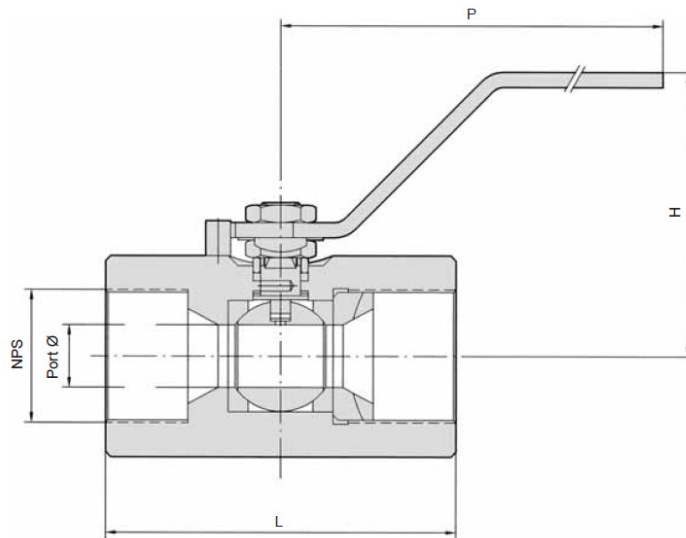
Features

- Reduced bore. 1 piece body construction.
- **Design Standards:** EN ISO 17292:2004
- **Ends:** NPT ANSI B1.20.1 / BSP ISO 228 /
SW+N Sch.40-80 (side 1) ANSI B16.25, BSP/NPT (side 2)
- **Testing:** EN 12266-1 Rate A / API 598
- **Seats:** High performance PTFE
- **Stem:** Anti-static and proof Blow-out
- Fire safe design

Approvals

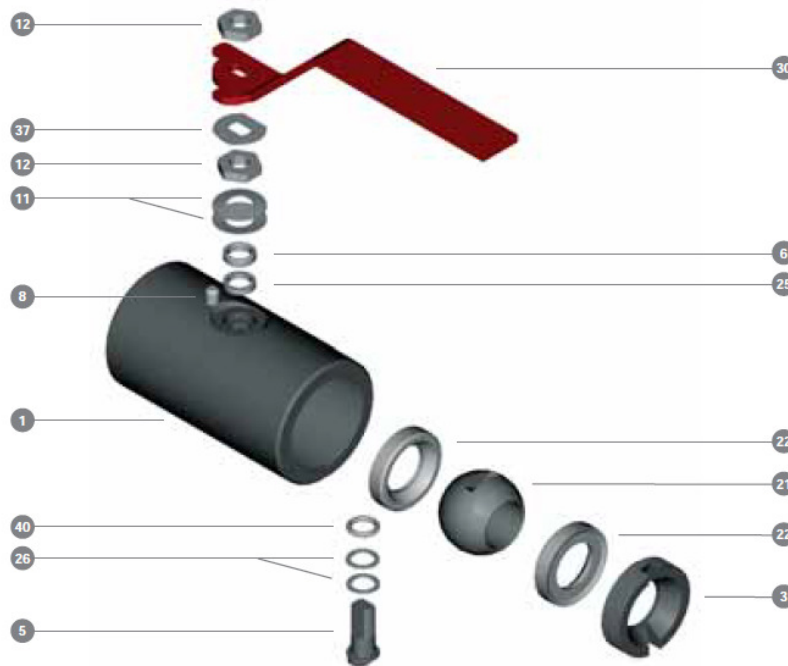
- PED 2014/68/EU approval for CE marked products
- Marine Division certificate
- ATEX approval
- SIL approval
- EAC TR CU approval

Dimensions



Size	General Dimensions [mm] – Class 800								Weight [Kg]
	Port Ø	L	H	P	CV (m ³ /h)	Torque (N·m)			
						50 bar	100 bar	140 bar	
1/4"	9,5	60	53	120	-	8	9	10	0,5
3/8"					-				
1/2"					7				
3/4"					10				
1"	17	80	58		30	10	12	15	0,7
1.1/2"	25	100	97	150	90	15	20	20	1,7
2"	32	110	102		130	20	25	-	2,2

Material List



Pos.	Description	Carbon Steel	Stainless Steel
1	Body	ASTM A105	ASTM A479 Type 316L
3	Insert	ASTM A105	ASTM A479 Type 316L
5	Antistatic stem	ASTM A479 Type 316	
6	Gland ring	ASTM A479 Type 316	
8	Stop pin	Carbon Steel	Stainless Steel
11	Washer	Blued Steel	Stainless Steel
12	Nut	Blued Steel	Stainless Steel
21	Ball	ASTM A479 Type 316	
22	Seat	PTFE	
25	Gland Packing	Graphite	
26	Thrust washer	PTFE + 25% Graphite	
30	Wrench	Steel Coated	
37	Safety washer	Stainless Steel	
40	Stem O'ring	FKM (1.1/2" and up)	

* GAS service on request.