

HB - CLASS 1500

Floating Ball Valve, Soft seated



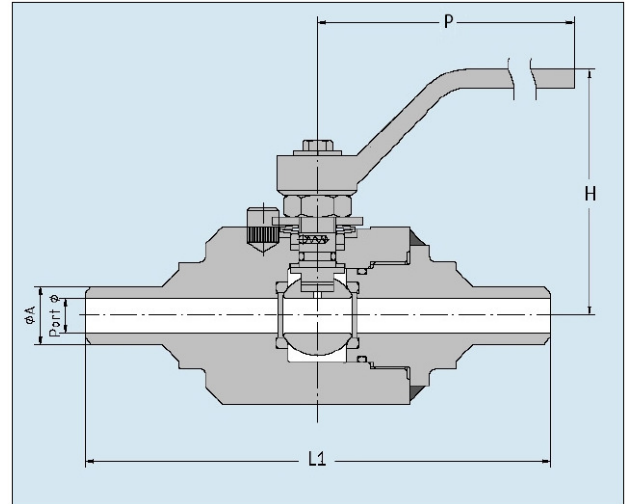
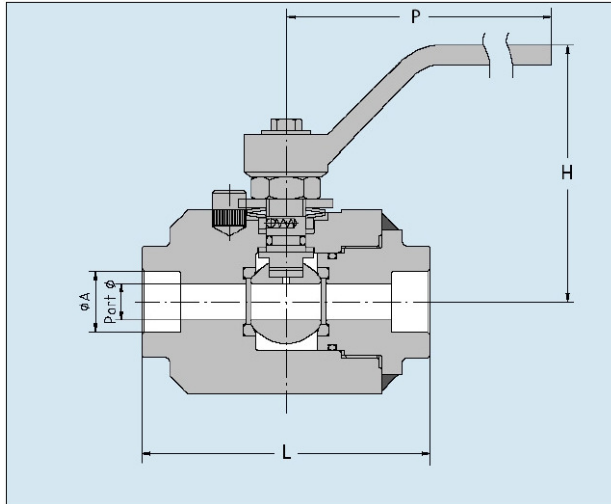
Features

- Full & Reduced bore. 1 piece body construction.
- **Design Standards:** ASME B16.34:2009
- **Ends:** NPT ANSI B1.20.1 / BSP ISO 228 / BW: SW+N Sch.40-80 ANSI B16.25 / SW ASME B16.34
- **Testing:** EN 12266-1 Rate A / API 598
- **Seats:** High performance DEVLON
- **Stem:** Anti-static and proof Blow-out
- NACE MR 0175

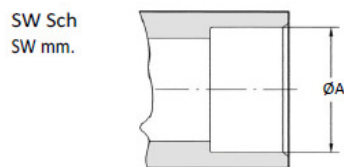
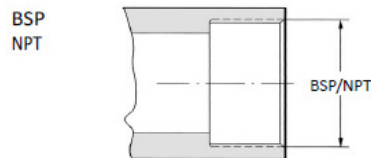
Approvals

- Fire safe certification: API 607 3rd ed. / API 6FA 1st ed. / BS 6755-2
- PED 2014/68/EU approval for CE marked products
- ATEX approval
- SIL approval
- EAC TR CU declaration

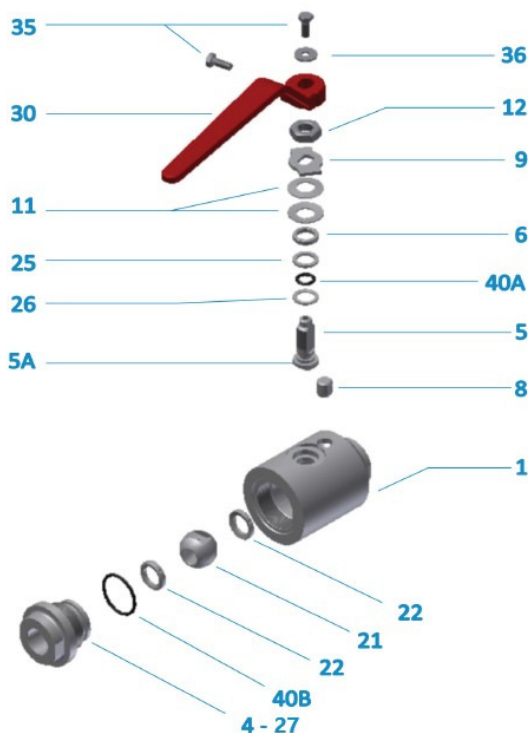
Dimensions



Size		General Dimensions [mm]								
RB	FB	Port Ø	L	L1	H	P	SW Sch.A		BW Sch.A	
							RB	FB	RB	FB
-	1/4"	7	104	300	92	200	-	14,1	-	-
-	3/8"	10					-	17,7	-	-
3/4"	1/2"	13	27,7	22,2	26,7		21,3			
1"	3/4"	19	120	320	96		34,5	27,7	33,4	26,7
-	1"	25	140	340	110		-	34,5	-	33,4
2"	1.1/2"	38	190	390	120	350	62	49,6	60,3	48,3
-	2"	49	210	410	130	-	-	62	-	60,3



Material List



Pos.	Description	Carbon Steel	Stainless Steel
1	Body	ASTM A105	ASTM A479 Type 316L
4	Cap	ASTM A105	ASTM A479 Type 316L
5	Antistatic Stem*	ASTM A564 Type 630	
5A	Antistatic ball & spring	316SS	
6	Gland ring	ASTM A479 Type 316	
8	Stop pin	Blued Steel	Stainless Steel
9	Stopper plate	Carbon Steel	
11	Washer	Blued Steel	Stainless Steel
12	Nut	Blued Steel	Stainless Steel
21	Ball*	ASTM A479 S31803 EN 10213 1.4470 ASTM A995 Gr.4A ASTM A182 Gr.F51	
22	Seat*	DEVLON	
25	Gland Packing	Graphite	
26	Stem Seal	PEEK	
27	Gasket	Graphite	
30	Wrench ($\leq 1''$)	Ductile Iron	
31	Handle head ($\geq 1.1/2''$)	Ductile Iron	
32	Handle bar ($\geq 1.1/2''$)	Carbon Steel	
35	Bolt	Blued Steel	Stainless Steel
36	Washer	Blued Steel	Stainless Steel
40A	Stem O'ring*	FKM (AED)	
40B	Body O'ring*	FKM (AED)	

* Various stem, ball, seats and O-rings materials are available as optional.
 Note: Components arrangement may vary depending on the size.

Operation Torque (BTO)

Valve Size	MAST	Maximum differential pressure [barg] / Operation torque [Nm]		
		100	200	250
1/2"	112	32	32	32
3/4"	112	45	55	60
1"	112	48	70	72
1 1/2"	831	160	240	320
2"	831	210	345	450

Note: Safety factor not included.