

F21 – F21A

Floating Ball Valve, PN40 / PN63



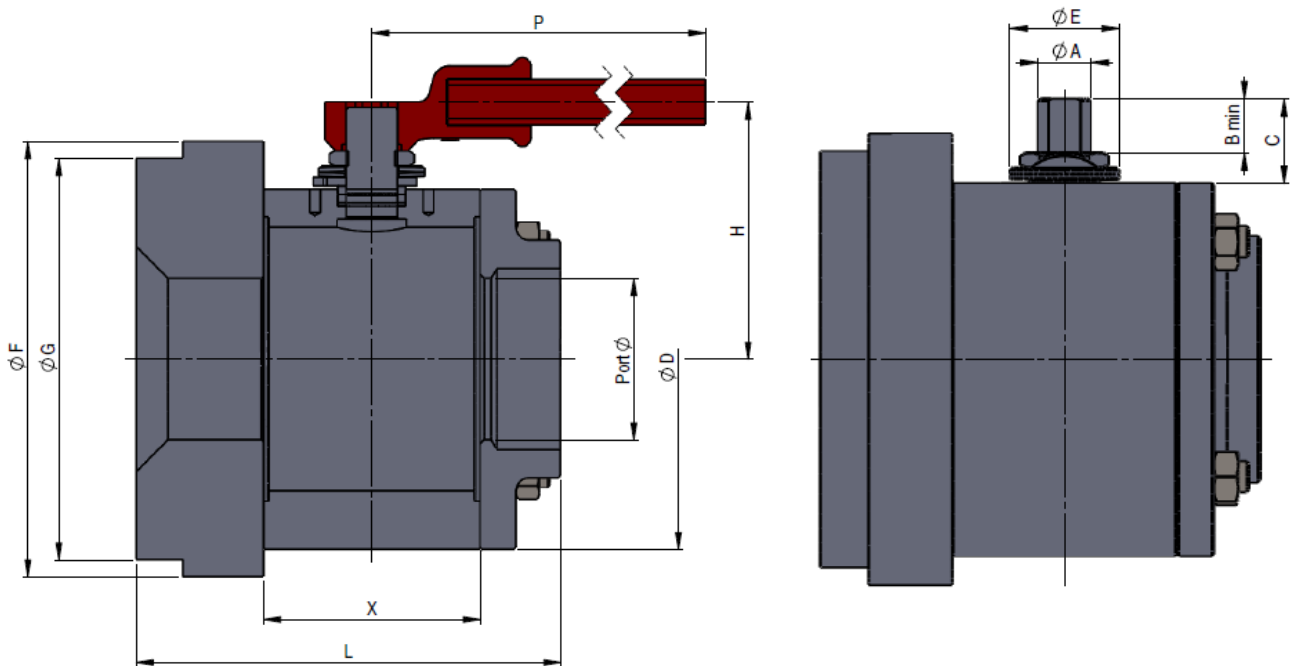
Features

- 3 pieces valve. Full bore (reduced bore as option)
- **Design Standard:** EN 1983
- **Ends:**
 - Butt-Welding EN 12627
 - Socket Welding EN 12760
 - Threaded NPT ANSI B 1.20.1 o BSP ISO 228-1
- **Lengths / Face-to-face:**
 - Butt-Welding EN12982-5 (2009)
 - Socket Welding KITZ Standard
 - Threaded End KITZ Standard
- **P/T Rating:** EN 12516-1
- **Leak Test:** EN 12266-1 Rate A / API 598
- **Top connection:** KITZ Standard
- **Seats:** PTFE
- **Stem:** Anti-static and proof blow-out
- Autoadjustable packing

Approvals

- PED 2014/68/UE approval for CE marked products
- Marine División certificate
- ATEX approval

Dimensions



F21A PN 63													
Size	General Dimensions (mm)												
Ø Nominal	Ø d	Ø D	L	X	P	H	A	B	C	E	F	G	Weight* [Kg]
DN 08	11	67	61	24	150	92	M10	9,5	15,5	21	75	65	1,2
DN 10	12,5	67	61	24	150	92	M10	9,5	15,5	21	75	65	1,2
DN 15	14	67	61	24	150	92	M10	9,5	15,5	21	75	65	1,3
DN 20	19	80	73,5	31	150	105	M10	9,5	12,5	21	80	70	2,3
DN 25	25	95	85	40	150	105	M12	10,5	18,5	25	100	90	3,5
DN 32	32	104	96,5	47	200	110	M14	18	32	35	110	100	5
DN 40	38	116	115	57	200	115	M14	18	32	35	125	115	6,5
DN 50	51	132	132	70	350	95	M24	30	42	51	150	140	9

F21 PN 40													
Size	General Dimensions (mm)												
Ø Nominal	Ø d	Ø D	L	X	P	H	A	B	C	E	F	G	Weight* [Kg]
DN 65	65	150	146	86	350	117	M24	20,5	38,5	51	170	160	10
DN 80	76	179	171	102	350	121	M24	24,5	38,5	51	205	189	22,5
DN 100	102	226	226	139	500	181	M36	39	65,5	71	250	220	44

Note: Length for Butt-welding according required series from de EN 12982-5

More coupling dimensions are available on demand.

*Weights are approximate.

Pressure-Temperature Rating

Maximum Pressure / Minimum Temperature			
MATERIAL	O'Ring	F21A Seat: H-PTFE / PTFE	F21 Seat: H-PTFE / PTFE
LF2	HNBR	63 bar at -29°C	40 bar at -29°C
	FKM	63 bar at -20°C	40 bar at -20°C
316L	HNBR	54 bar at -29°C	34 bar at -29°C
	FKM	54 bar at -20°C	34 bar at -20°C

Maximum Pressure / Maximum Temperature – PTFE Seat				
MATERIAL	O'Ring	F21A		F21 DN65 - DN100
		DN08 - DN40	DN50	
LF2	HNBR	59 bar at 140°C	46 bar at 140°C	32 bar at 140°C
	FKM	23 bar at 200°C	15 bar at 200 °C	10 bar at 200°C
316L	HNBR	42 bar at 140°C	42 bar at 140°C	26 bar at 140°C
	FKM	23 bar at 200°C	15 bar at 200°C	10 bar at 200°C

Maximum Pressure / Maximum Temperature - R-PTFE Seat*				
MATERIAL	O'Ring	F21A		F21 DN65 - DN100
		DN08 - DN40	DN50	
LF2	HNBR	59 bar at 140°C	57 bar at 140°C	37 bar at 140°C
	FKM	37 bar at 200°C	26 bar at 200°C	18 bar at 200°C
316L	HNBR	42 bar at 140°C	42 bar at 140°C	26 bar at 140°C
	FKM	37 bar at 200°C	26 bar at 200°C	18 bar at 200°C

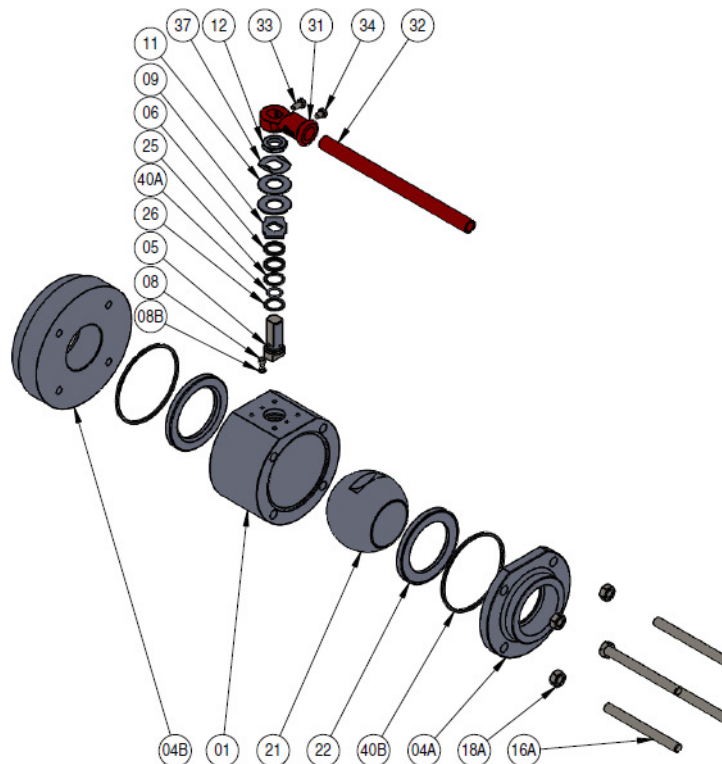
* R-PTFE includes materials: PTFE+Glass filled, PTFE+Graphite, PTFE+SS and H-PTFE.

Operation Torque (BTO)

Fig.	Bar	DN08	DN10	DN15	DN20	DN25	DN32	DN40	DN50	DN65	DN80	DN100
VU19	40	-	-	-	-	-	-	-	-	75	120	175
VU29	63	8	8	8	8,5	12	18	28	42	-	-	-
MAST (Type 304/316)		9,9	9,9	9,9	9,9	21	32,7	32,7	225	244,5	244,5	586,9

* UNITS: Nm.

Material List



POS.	Description	Stainless Steel
01	Body	ASTM A182 Gr. F316L
04A	Cap	ASTM A182 Gr. F316L
04B	Cap	ASTM A182 Gr. F316L
05	Antistatic stem*	ASTM A182 Gr. F316 / ASTM A479 Type 316
06	Gland ring	ASTM A182 Gr. F316
08	Stop pin	Stainless Steel
08B	Washer	Stainless Steel
09	Stopper plate	Stainless Steel
11	Disk spring	Stainless Steel
12	Gland nut	Stainless Steel
16A	Bolt (up to 2") Stud bolt (from 2.1/2")	ISO 3506 part 1/3 Gr. A2-70
18A	Nut (from 2.1/2")	ISO 3506 part 2 Gr. A2-70
21	Ball*	ASTM A479 Type 316 or ASTM A182 Gr. F316 or EN 10213 1.4408 or ASTM A351 Gr.CF8M
22	Seat*	PTFE
25	Gland packing	PTFE + Graphite
26	Thrust washer	PTFE + Graphite
31	Handle head (from 2")	Ductile Iron
32	Handle bar (from 2")	Carbon Steel
33/34	Handle bolt (from 2")	Stainless Steel
40A	O-ring*	FKM
40B	Body joint	PTFE

* Various stem, seats and O-rings materials are available as optional.

Note: Components arrangement may vary depending on the size.