

## **F20 DIN**

### **3 Ways Ball Valve, PN16**



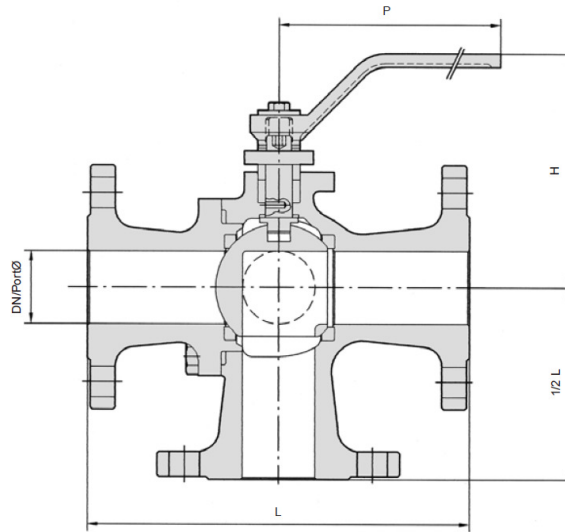
### **Features**

- 3 ways. 2-piece body construction.
- Port L (Deviation) or T (Transmix)
- **Design Standards:** EN ISO 17292:2004 – EN 1092
- **Flanges:** DIN 2501
- **Testing:** DIN 3230
- **Seats:** High performance PTFE
- **Stem:** Anti-static and proof Blow-out

### **Approvals**

- PED 2014/68/EU approval for CE marked products
- Marine Division certificate
- EAC TR CU declaration

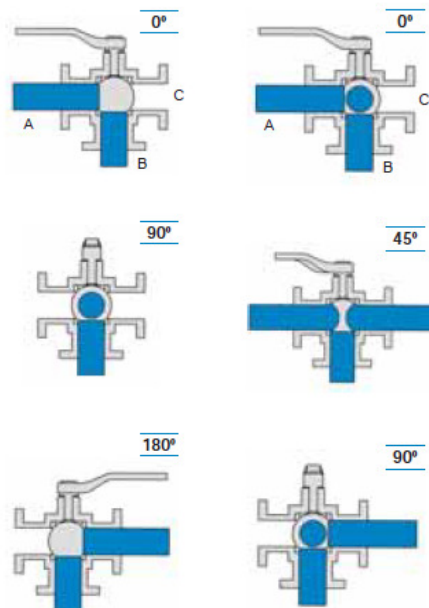
## Dimensions



NPS / DN	General Dimensions [mm]						Weight (L·Port) (kg)
	Port Ø	L	H	P	KV (L·Port) (m <sup>3</sup> /h)	Torque PN16	
1"	25	160	81	150	14	10	5,3
2"	51	230	132	250	58	30	15,8
3"	80	310	154		208	72	27
4"	102	350	212	500	335	145	47

### F20L (L-shaped port):

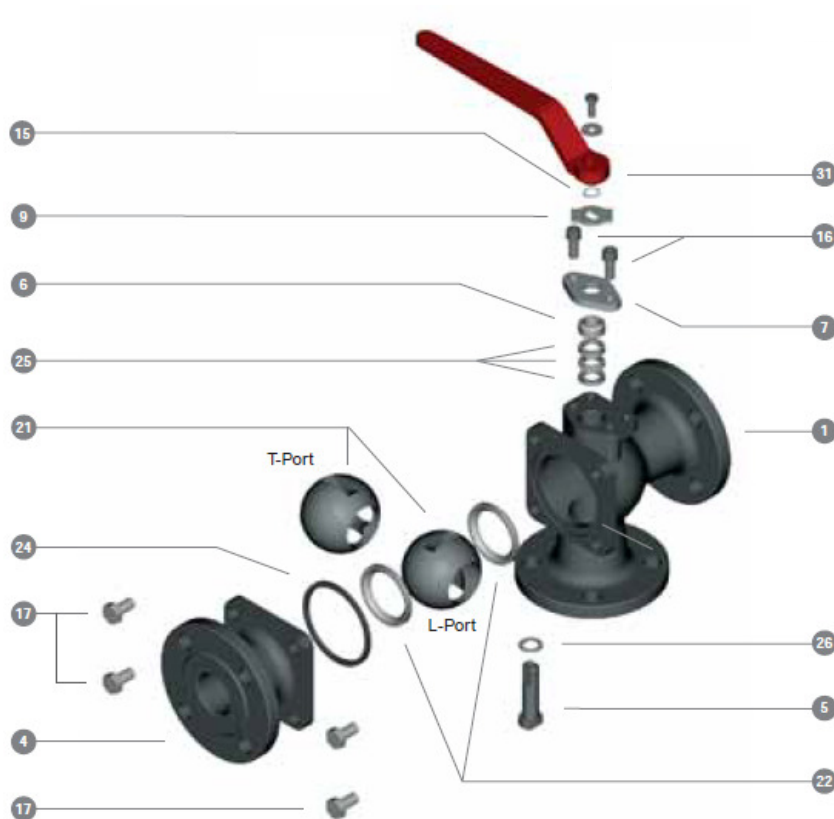
Deflective valve. The fluid usually goes in through inlet port B, and it can be conveyed to inlet port A (position to 0°) or to inlet port C (position to 180°). It prevents communication between inlet ports A and C. Through this execution the flow can be shut off by simply switching valve to 90°. If automation is performed, actuators allowing for a 180° turn are required.



### F20T (T-shaped port):

Transmix or mixer valve. The fluid usually goes in through inlet port B. At 45° the fluids from the 3 inlet ports are communicated. It also accepts the deflective valve function: with positions at 0° it communicates A with B; or at 90°, it communicates B with C. The shut-off position is not possible with this execution.

## Material List



Pos.	Description	Carbon Steel	Stainless Steel
1	Body	ASTM A216 Gr.WCC	ASTM A351 Gr.CF8M
4	Cap	ASTM A216 Gr.WCC	ASTM A351 Gr.CF8M
5	Antistatic stem	ASTM A479 Type 316	
6	Gland ring	ASTM A479 Type 316	
7	Gland flange	Carbon Steel	Stainless Steel
9	Stopper plate (F20T)	Carbon Steel	
12	Nut	Carbon Steel	Stainless Steel
15	Elastic ring (F20T)	Carbon Steel	
16	Gland bolt	ISO 3506 p.1/3 Gr.A2-70	
17	Bolt	DIN 267 p.3 Gr.C8.8	ISO 3506 p.1/3 Gr.A2-70
21	Ball	ASTM A479 Type 316 EN 10213 1.4408 ASTM A351 Gr.CF8M ASTM A182 Gr.F316	
22	Seat	PTFE	
24	Body seal	PTFE (DN25) 316L+Flexite (DN50 and up)	
25	Gland packing	PTFE	
26	Stem seal	PTFE	
30	Handle	Steel Coated (DN25)	
31	Handle head	Ductile Iron (DN50 and up)	
32	Handle bar	Carbon Steel (DN50 and up)	