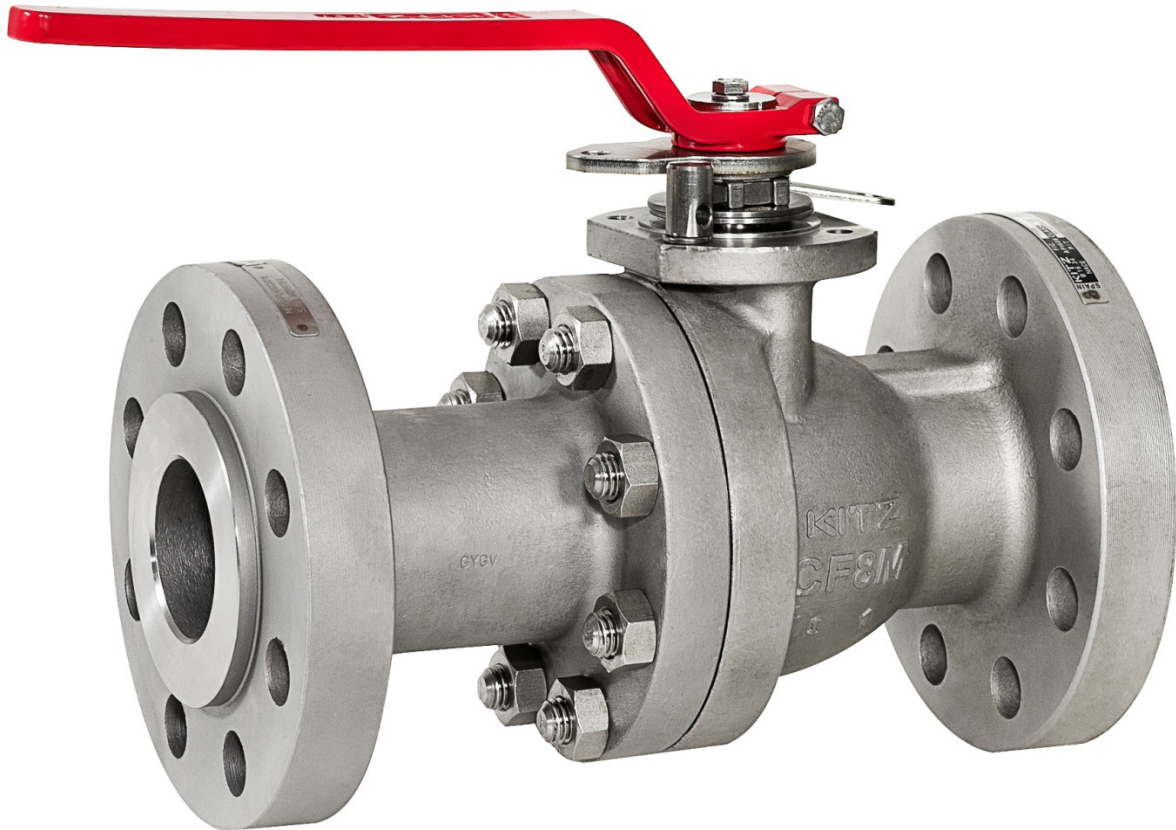


F14AN

Floating Ball Valve, ASME Class 600



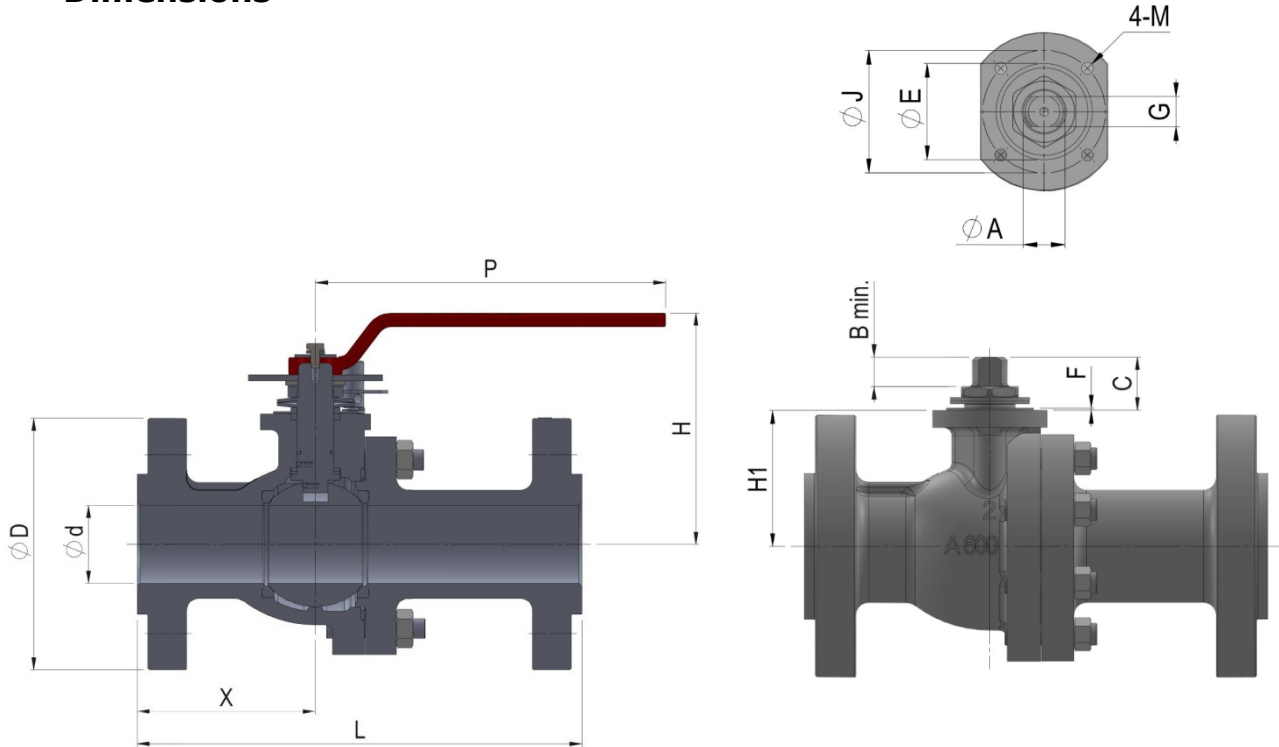
Features

- Full bore. Split body
- **Design Standards:** API 608/ISO 17292/ASME B16.34
- **Flanges:** ASME B16.5, RF
- **Lengths/Face-to-face:** ASME B16.10
- **Leak test:** EN 12266-1 Rate A / API 598
- **Top flange:** ISO 5211 top mount and CAPI stem dimension for global automation conformity.
- **Seats:** HYPATITE® ball seats provide enhanced sealing performance and longer life.
- **Stem:** Anti-static and proof Blow-out.
- **Handle:** Lever "pynch type" (1" and above)
- NACE MR0103 compliance available.
- Locking device in open and close position.

Approvals

- Fire test Certification: API 607 ed. 6th / ISO 10497 ed. 3rd
- PED 2014/68/UE approval for CE marked products.
- Fugitive Emission Certification: ISO 15848-1 (2015)
- CRN approval
- Marine Division certificate
- ATEX approval

Dimensions



SIZE	DIMENSIONS [mm]																Kv	Weight
	GENERAL DIMENSIONS						TOP WORKS											
Inch	Ød	ØD	L	X	P	H	ØA	B min.	C	ØE	F	G	J	M	H1	ISO 5211	[m³/h] [bar]	(Kg)
1/2"	14	95	165	82,5	130	89	10	7	17	25	1,5	7	36	M5	25	F03	15,5	3
3/4"	19	115	190	95	130	93	10	7	17	25	1,5	7	36	M5	29	F03	32	4,2
1"	25	125	216	108	160	103	14	11	26	30	1,5	11	42	M5	39,5	F04	60,5	6
1.1/2"	38	155	241	102,5	160	125	14	11	26,5	30	1,5	11	42	M5	61,5	F04	172	11,5
2"	51	165	292	117	230	152	22	17	34	55	1,5	17	70	M8	85,5	F07	338	18
3"	76	210	356	136,5	400	174,4	22	17	33,5	55	1,5	17	70	M8	110,5	F07	850	35
4"	102	275	432	216	400	206,5	28	22	45	70	1	22	102	M10	134	F10	1572	69

P-T Rating

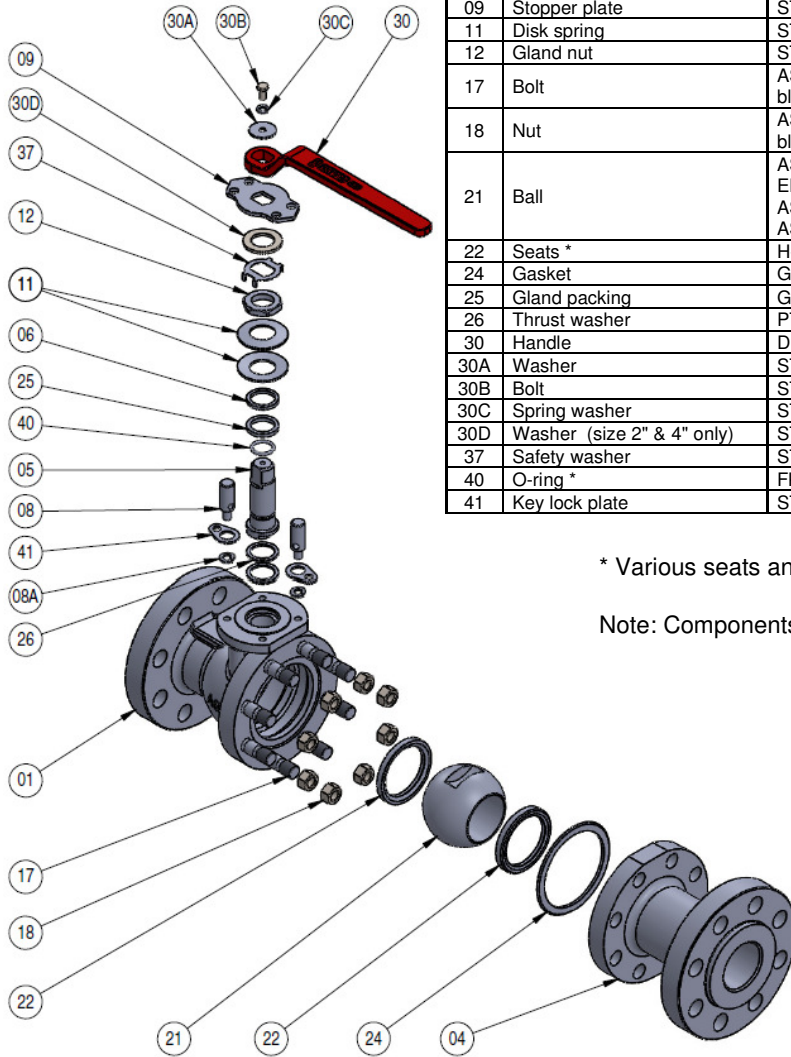
PRESSURE-TEMPERATURE RATINGS [bar]							
Temperature [°C]	O-Ring / Seat Material	1/2"-1.1/2"		2"		3"-4"	
		WCB	CF8M	WCB	CF8M	WCB	CF8M
38	All STD Materials	102	99	102	99	102	99
140	H-NBR Max	77		58		41,5	
200	FKM Max FKM-LT Max	37,5		26,3		18,8	
250	H-PTFE Max	0		0		0	

Operation Torque

Valve Size	Maximum differential pressure[bar] / Operation torque(BTO)[Nm]											MAST (N-m)
	10	20	30	40	50	60	70	80	90	102		
1/2"	3,2	3,9	4,5	4,5	4,5	4,5	4,5	4,5	4,5	4,5	4,5	12,3
3/4"	5,8	5,8	6,5	6,5	6,5	6,5	6,5	6,5	6,5	6,5	6,5	12,3
1"	11,7	12,4	12,4	12,4	12,4	12,4	12,4	12,4	12,4	12,4	13	43
1.1/2"	17,5	17,5	17,5	17,5	18,2	20,8	23,4	26	26	27,3	43	
2"	52	52	52	52	52	58,5	58,5	58,5	58,5	58,5	197	
3"	84,5	97,5	110,5	114	120	125,4	125,4	125,4	125,4	125,4	197	
4"	136,5	143	143	162,5	195	227,5	227,5	240,5	247	247	415	

NOTES: - All torque values include 30% safety factor. Values are for clean, static water at ambient temperature.
- Stem material: 316SS.

Material List



item	DESCRIPTION	CARBON STEEL	STAINLESS STEEL
01	Body	ASTM A216 Gr.WCB	ASTM A351 Gr.CF8M
04	Cap	ASTM A216 Gr.WCB	ASTM A351 Gr.CF8M
05	Antistatic stem	ASTM A182 Gr.F316 / ASTM A479 Type 316	ASTM A182 Gr.F316/ASTM A479 Type 316
06	Gland ring	ASTM A479 Type 316	ASTM A479 Type 316
08	Stop pin	STAINLESS STEEL	STAINLESS STEEL
08A	Spring washer (2" & 3" only)	STAINLESS STEEL	STAINLESS STEEL
09	Stopper plate	STAINLESS STEEL	STAINLESS STEEL
11	Disk spring	STAINLESS STEEL	STAINLESS STEEL
12	Gland nut	STAINLESS STEEL	STAINLESS STEEL
17	Bolt	ASTM A193 Gr.B7M (with black coating)	ASTM A193 Gr.B8M
18	Nut	ASTM A194 Gr.2HM (with black coating)	ASTM A194 Gr.8M
21	Ball	ASTM A479 Type 316 EN 10213 1.4408 ASTM A351 Gr.CF8M ASTM A182 Gr.F316	ASTM A479 Type 316 EN 10213 1.4408 ASTM A351 Gr.CF8M ASTM A182 Gr.F316
22	Seats *	H-PTFE	H-PTFE
24	Gasket	GRAPHITE + 316L	GRAPHITE + 316L
25	Gland packing	GRAPHITE	GRAPHITE
26	Thrust washer	PTFE	PTFE
30	Handle	DUCTILE IRON	DUCTILE IRON
30A	Washer	STAINLESS STEEL	STAINLESS STEEL
30B	Bolt	STAINLESS STEEL	STAINLESS STEEL
30C	Spring washer	STAINLESS STEEL	STAINLESS STEEL
30D	Washer (size 2" & 4" only)	STAINLESS STEEL	STAINLESS STEEL
37	Safety washer	STAINLESS STEEL	STAINLESS STEEL
40	O-ring *	FKM-LT	FKM-LT
41	Key lock plate	STAINLESS STEEL	STAINLESS STEEL

* Various seats and O-rings materials are available as optional.

Note: Components arrangement may vary depending on the size