

## **F14A-M**

### **Metal Seated Floating Ball Valve**

### **ASME CLASS 150 / CLASS 300**



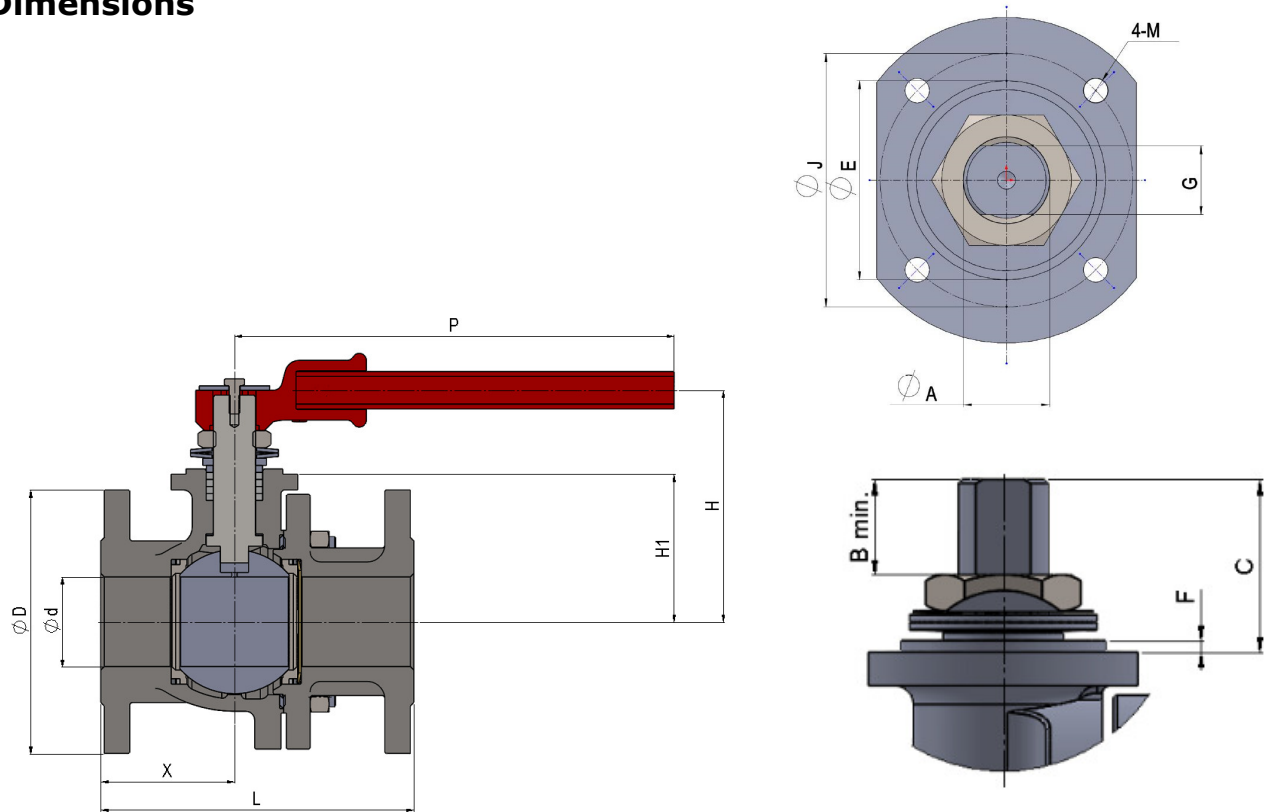
#### **Features**

- Full bore. Split body
- **Service temperature:** -29°C / 400°C
- **Design Standards:** ISO 17292 / ASME B16.34 / API 608
- **Flanges:** ASME B16.5, RF
- **Lengths/Face-to-face:** ASME B16.10
- **Leak test:** EN 12266-1 Rate C / ISO 5208 Rate C / ANSI FCI 70 Class V (on request other Rate/Class or leakage 0)
- **Top flange:** ISO 5211
- **Seats:** 316 Stainless steel with Tungsten Carbide Hard Facing.
- **Stem:** Anti-Blow-out
- Autoadjustable packing
- NACE MR0175
- Locking device in open and close position

#### **Approvals**

- Fire test Certification: API 607 ed. 7<sup>th</sup> / ISO 10497 ed. 3<sup>rd</sup>
- PED 2014/68/UE approval for CE marked products.
- Fugitive Emission Certification: ISO 15848-1 (2015) **\*On going**
- ATEX approval
- SIL IEC 61508 – 2010 Certification

## Dimensions

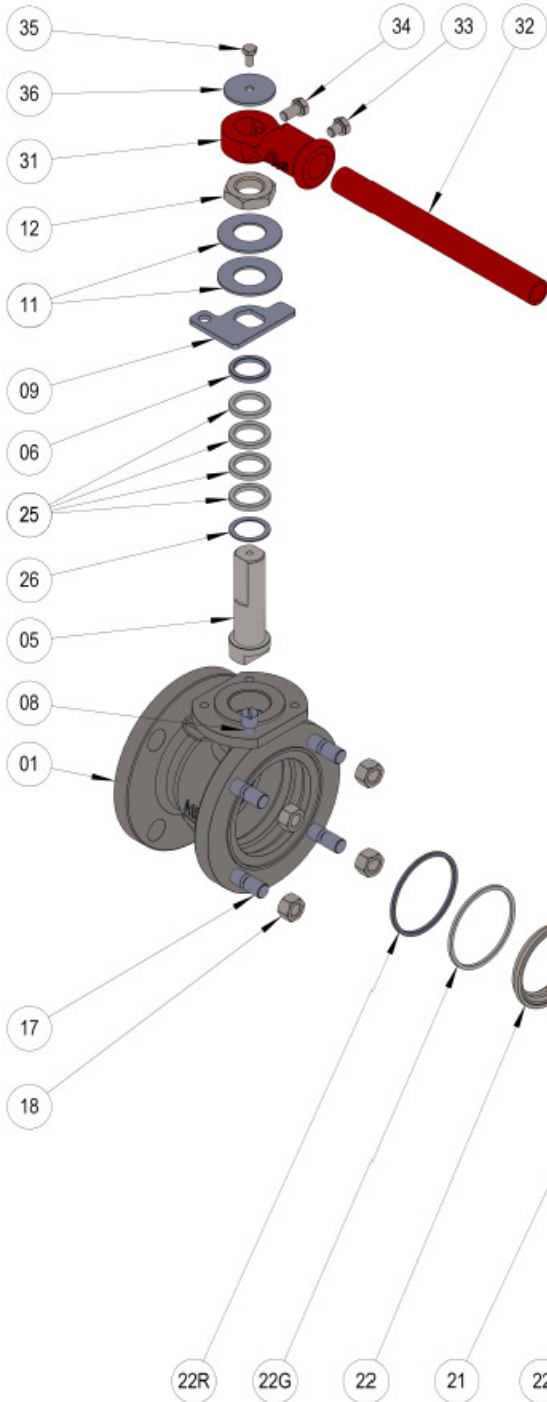


Class 150																		
Size	General Dimensions [mm]																Kv	Weight
inch.	$\varnothing d$	$\varnothing D$	L	X	P	H	H1	A	B	C	E	F	G	J	M	ISO 5211	[m <sup>3</sup> /h] [bar]	[Kg]
1/2"	14	90	108	45,5	150	91	23,5	10	7,5	17	25	1,5	6	36	M5	F03	19	2
3/4"	19	100	117	52	150	95	29	10	9	17,5	25	1,5	6	36	M5	F03	40,5	2,5
1"	25	110	127	54,5	150	106	30,5	12	10,5	21,5	35	2	8	50	M6	F05	79,5	3,5
1.1/2"	38	125	165	80,5	200	126	61	14	13,5	29	35	2	9	50	M6	F05	208,5	7
2"	51	150	178	76	350	132	84	24	23,5	45	55	3	19	70	M8	F07	433	12,3
3"	76	190	203	90	TBD	152	104	24	23,5	45	55	3	19	70	M8	F07	1062	23
4"	102	230	229	114,5	TBD	201	130	36	39	66,5	70	3	22	102	M10	F10	2158	40
6"	152	280	267	134	*	240	169	36	39	66,5	70	3	22	102	M10	F10	5662	76

Class 300																		
Size	General Dimensions [mm]																Kv	Weight
inch.	$\varnothing d$	$\varnothing D$	L	X	P	H	H1	A	B	C	E	F	G	J	M	ISO 5211	[m <sup>3</sup> /h] [bar]	[Kg]
1/2"	14	95	140	49,5	150	91	23,5	10	7,5	17	25	1,5	6	36	M5	F03	16,5	2,8
3/4"	19	115	152	62	150	95	29	10	9	17,5	25	1,5	6	36	M5	F03	35,5	3,5
1"	25	125	165	66	150	106	30,5	12	10,5	21,5	35	2	8	50	M6	F05	70	5,2
1.1/2"	38	155	190	96	200	126	61	14	13,5	29	35	2	9	50	M6	F05	194,5	10,5
2"	51	165	216	106	500	132	84	24	23,5	45	55	3	19	70	M8	F07	392,5	15,5
3"	76	210	283	127	TBD	152	104	24	23,5	45	55	3	19	70	M8	F07	900	31
4"	102	255	305	152,5	TBD	201	130	36	39	66,5	70	3	22	102	M10	F10	1871	55
6"	152	320	403	201,5	*	240	169	36	39	66,5	70	3	22	102	M10	F10	4608	115

\* Gear Operation

## Material List



Pos.	Description	Carbon Steel	Stainless Steel
01	Body	ASTM A216 Gr.WCC	ASTM A351 Gr.CF8M
04	Cap	ASTM A216 Gr.WCC	ASTM A351 Gr.CF8M
05	Stem *1	ASTM A564 Type 630	ASTM A564 Type 630
06	Gland ring	ASTM A479 Type 316	ASTM A479 Type 316
08	Stop pin	Stainless Steel	Stainless Steel
09	Stopper plate	Stainless Steel	Stainless Steel
11	Disc spring	Stainless Steel	Stainless Steel
12	Gland nut	Stainless Steel (1/2" - 2") Carbon Steel (3" - 6")	Stainless Steel
17	Stud Bolt (size 2" & up)	ASTM A193 Gr.B7M	ASTM A193 Gr.B8M
18	Nut (size 2" & up)	ASTM A194 Gr.2HM	ASTM A194 Gr.8M
21	Ball *1	ASTM A479 Type 316+WC-Co *2 ASTM A351 Gr.CF8M+WC-Co ASTM A182 Gr.F316+WC-Co	ASTM A479 Type 316+WC-Co *2 ASTM A351 Gr.CF8M+WC-Co ASTM A182 Gr.F316+WC-Co
22	Seat *1	ASTM A479 Type 316+WC-Co *2 ASTM A182 Gr.F316+WC-Co	ASTM A479 Type 316+WC-Co *2 ASTM A182 Gr.F316+WC-Co
22G	Seat packing	Graphite	Graphite
22R	Seat ring	ASTM A479 Type 316 ASTM A182 Gr.F316	ASTM A479 Type 316 ASTM A182 Gr.F316
22S	Disc spring (size 2" & up)	UNS N07750	UNS N07750
24	Gasket	Graphite + 316L	Graphite + 316L
25	Gland packing	Graphite	Graphite
26	Thrust washer	HT-316 Duritex ML	HT-316 Duritex ML
31	Handle head(size 2" & up)	Ductile Iron	Ductile Iron
32	Handle bar (size 2" & up)	Carbon Steel	Carbon Steel
33	Handle bolt (size 2" & up)	Stainless Steel	Stainless Steel
34	Handle bolt (size 1 1/2" & up)	Stainless Steel	Stainless Steel
35	Bolt (size 1 1/2" & up)	Stainless Steel (1 1/2" - 2") Carbon Steel (3" - 6")	Stainless Steel
36	Washer (size 1 1/2" & up)	Stainless Steel (1 1/2" - 2") Carbon Steel (3" - 6")	Stainless Steel

\*1 Various stem, ball and seats materials are available as optional.

\*2 Other hard facing on request

Note: Components arrangement may vary depending on the size.

## P-T Rating

<b>Pressure-Temperature Ratings [bar]</b>				
Class \ Temperature	<b>150</b>		<b>300</b>	
	<i>WCC</i>	<i>CF8M</i>	<i>WCC</i>	<i>CF8M</i>
-29°C ~ 38°C	19,8	19	51,7	49,6
400°C	6,5	6,5	34,7	29,4

