

**TAZ/BF6KZ**  
**WCB and CF8M material**  
**Floating Ball Valve, ASME CLASS 150 / CLASS 300**



### Features

Reduced bore. 1 piece body construction.

**Design Standards:** ISO 17292:2004 / EN 12516-1 / ASME B16.34:2009 / API 608 / BS 5351\*

\*Although it is obsolete, it is adopted because most customers specify it

**Flanges:** ASME B16.5:1996, RF

**Lengths/Face-to-face:** ASME B16.10:2010

**Leak test:** EN 12266-1 Rate A / API 598

**Top flange:** ISO 5211:2001 and CAPI: 2002

**Seats:** Modified PTFE HYPATITE

**Stem:** Anti-static and proof Blow-out

Autoadjustable packing

NACE MR0175

### Approvals

Fire test Certification: API 607 ed. 6<sup>th</sup> , EN 10497:2010

PED 2014/68/UE approval for CE marked products

Marine Division certificate

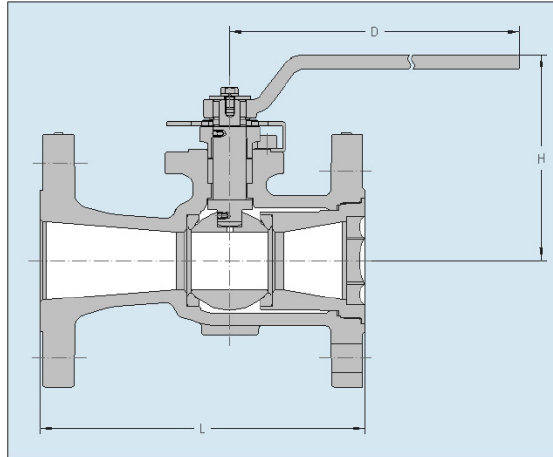
ATEX approval

Fugitive Emission approval: ISO 15848-1 / API 641

SIL approval

EAC TR CU approval

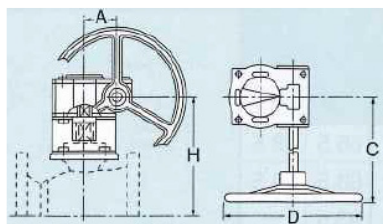
## Dimensions



150SCTAZM-FS/150UTAZM-FS/300SCTAZM-FS/300UTAZM-FS											
General Dimensions [mm]											
Valve Size	Port	L		D		H		ISO 5211	Cv (m <sup>3</sup> /h)	Weight (Kg)	
		A150	A300	A150	A300	A150	A300			A150	A300
½"	10	108	140	130	130	92	92	F03	8	1,6	2,1
¾"	12,5	117	152	130	130	95	95	F03	12	2	3,1
1"	17,5	127	165	130	130	110	110	F03	24	2,6	4,2
1½"	30	165	190	160	160	127	127	F05	96	4,8	8,1
2"	38	178	216	230	230	134	134	F07	141	8,3	11
3"	58	203	283	400	400	173	173	F10	296	17	25
4"	76	229	305	400	400	189	189	F10	483	27	38
6"	100	267	403	460	750	224	251	F12	957	44	74
8"	151	292	419	1000	1000	315	315	F14	1605	89	127
10"	187	330	457	1500	1500	392	392	F16	2600	144	198

Valve Operator:

- ½"~6": Lever operation (A150)
- ½"~4": Lever operation (A300)
- 8" ~10": Handle bar&head (A150)
- 6" ~10": Handle bar&head (A300)
- 8" ~10": Manual Gear operation (Optional)



Gear Dimensions [mm]										
Class	150	300	H		D		C		A	
			150	300	150	300	150	300	150	300
Valve Size (inch)	8"	8"	336	336	300	300	283	283	71	71
	10"	10"	400	400	400	400	337	337	86	86

---

**Operation Torque (BTO)**

<b>Maximum differential pressure [barg] / Operation torque [Nm]*</b>				<b>MAST [Nm]</b>
<b>Valve Size</b>		<b>Class 150</b>	<b>Class 300</b>	
15	½"	4,0	5,1	16,3
20	¾"	4,5	5,5	16,3
25	1"	7,8	9,1	35,7
40	1½"	13,0	19,5	128
50	2"	28,6	39,0	232
80	3"	52,0	114,0	493
100	4"	84,5	208,0	493
150	6"	163,0	390,0	965
200	8"	494,0	-	2288
250	10"	845,0	-	4645

\*All torque values include a 30% safety factor. Values are for clean, static water at ambient temperature.

## Material List

No.	DESCRIPTION	CARBON STEEL 150/300SCTAZM-FS	STAINLESS STEEL 150/300UTAZM-FS
1	Body	ASTM A216 Gr.WCB	ASTM A351 Gr.CF8M
3	Antistatic stem	ASTM A276/A479 Type 316	
4	Ball	ASTM A276/A479 Type 316 ASTM A351 Gr.CF8M	
7	Gland	ASTM A351 Gr.CF8M	
8	Gland Packing	Flexible Graphite	
9	Handle	Ductile Iron	
9A	Handle bar	Carbon Steel	
9B	Handle head	Ductile Iron	
16	Name plate	Stainless Steel	
19A	Gasket	PTFE	
19B	Gasket	Flexible Graphite	
20	Packing washer	ASTM A276 Type 316L (up to 1½")	
29	Insert	ASTM A216 Gr.WCB ASTM A105	ASTM A182 Gr.F316 ASTM A276 Type 316 ASTM A351 Gr.CF8M
30	Ball seat	Hypatite PTFE	
36	Gland bolt	Stainless Steel	
40	Key lock plate	Stainless Steel	
43	Handle lock plate	Stainless Steel	
48	Snap ring	Stainless Steel	
49	Stopper	Stainless Steel	
51	Stopper plate	Stainless Steel	
57	Gland bush	PTFE + Glass Filled	
58	Gland washer	ASTM A240/A276 Type 304	
67	Stem bearing	PTFE + Glass Filled	
123A	Handle lock plate bolt	Stainless Steel	
123B	Handle bolt	Stainless Steel	
124	Spring & pin	ASTM A313/A276 Type 316	
126	Stopper plate bolt	Stainless Steel	
145	Coned disc springs	Stainless Steel	

Notes:

- All part numbers are corresponding with those shown in valve assembly drawings.
- Illustration shows Size 1½" design.

