

F34 3 or 4 ways

Floating Ball Valve, PN16 / PN40



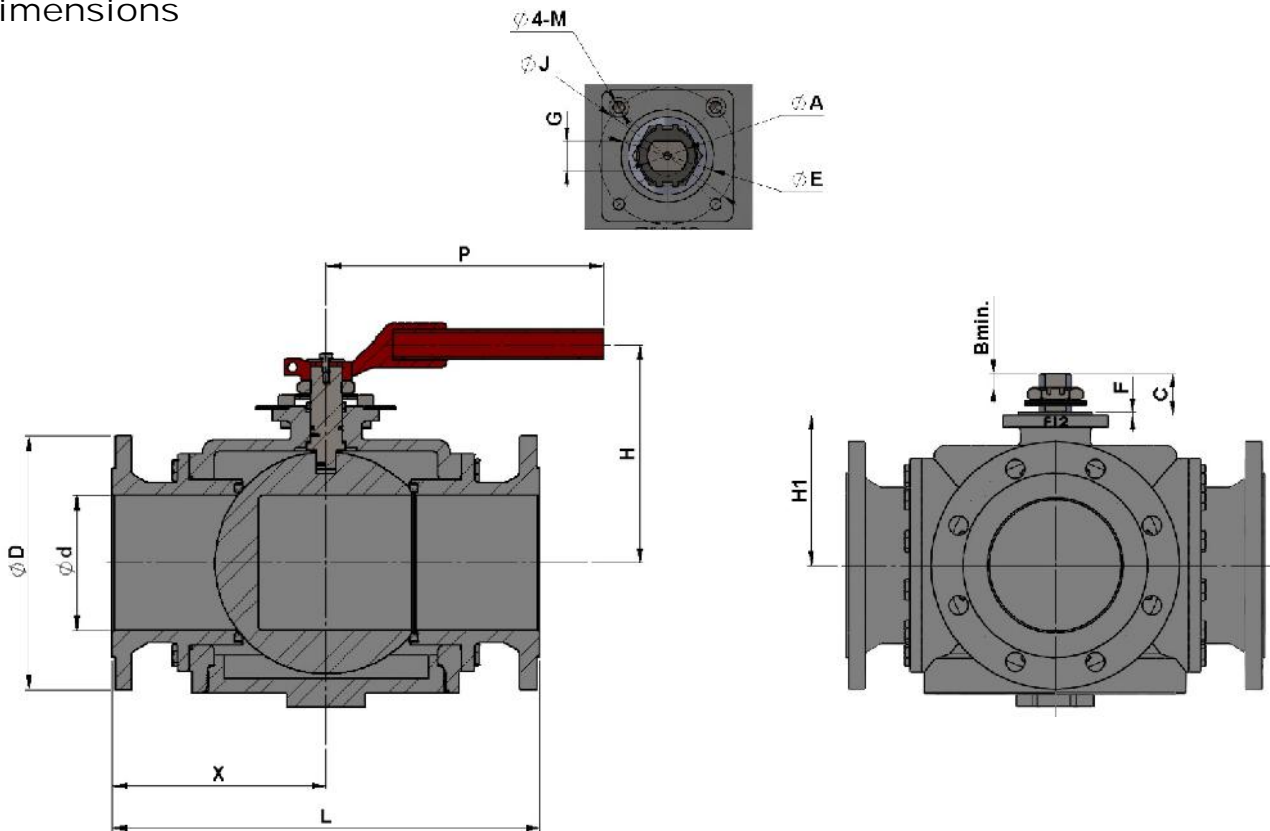
Features

- J Structure: 6 pieces, body and caps are bolted, insert is threaded into the body
- J Valve: 3 or 4 ways configurable
- J Design Standards: ISO 17292 / EN 1983
- J Flanges: EN 1092-1, Type B1
- J Lengths: KITZ Standard
- J Leak test: EN 12266-1 Rate A / API 598
- J Top flange: ISO 5211
- J Port: Full Bore as Standard
- J Actuation: "Clamp type" lever
- J Sphere: Different configurations, shape in "L", "T" and "X"
- J Indicator: Unique locking device adjustable to 90° and 180°. easily adaptable to different configurations
- J Seats: HPTFE, provides better performance and longer life
- J Stem: Anti-static and proof Blow-out
- J Gaskets: As standard PTFE and FKM O-ring
- J Autoadjustable packing
- J Fire Sife design and packing
- J NACE MR0175

Approvals

- J PED 2014/68/UE approval for CE marked products.
- J ATEX approval

Dimensions



PN 16																	
Size	General Dimensions [mm]															Weight	
mm.	$\varnothing d$	$\varnothing D$	L	X	P	H	H1	A	B_{min}	C	E	F	G	$\varnothing J$	M	ISO 5211	[Kg]
DN65	65	185	340	170	230	176	109	$\varnothing 22$	15	35	55	3	17	70	M8	F07	41,5
DN80	76	200	380	190	230	176	109	$\varnothing 22$	15	35	55	3	17	70	M8	F07	45
DN100	102	235	430	215	400	213	136	$\varnothing 28$	21	49	70	3	22	102	M10	F10	90

PN 40																	
Size	General Dimensions [mm]															Weight	
mm.	$\varnothing d$	$\varnothing D$	L	X	P	H	H1	A	B_{min}	C	E	F	G	$\varnothing J$	M	ISO 5211	[Kg]
DN25	25	115	230	115	160	112	44.5	M14	9,5	24,5	30	1,5	11	42	M5	F04	8,1
DN40	38	150	260	130	160	131	64	M14	12	27,5	30	1,5	11	42	M5	F04	15,5
DN50	51	165	300	150	230	152	92	$\varnothing 22$	12,5	31	55	2	17	70	M8	F07	26,5
DN65	65	185	340	170	230	176	109	$\varnothing 22$	15	35	55	3	17	70	M8	F07	41,5
DN80	76	200	380	190	230	176	109	$\varnothing 22$	15	35	55	3	17	70	M8	F07	45
DN100	102	235	430	215	400	213	136	$\varnothing 28$	21	49	70	3	22	102	M10	F10	95

Operation Torque (BTO)

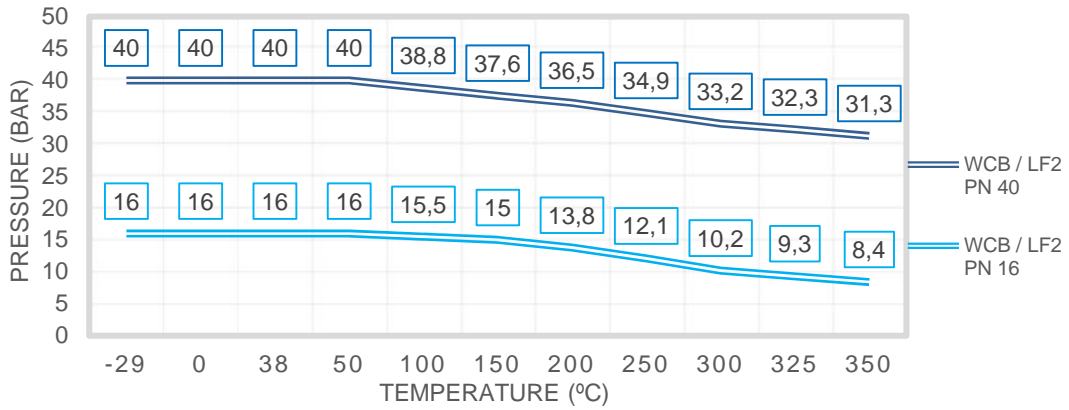
SIZE	Maximum differential pressure [bar] / Torque (BTO) [Nm]				MAST
	16	21	40	51	
DN25	9	11	16	18	32
DN40	28	36	44	48	110
DN50	48	55	59	65	200
DN65	90	110	125	140	200
DN80	90	110	125	140	200
DN100	150	175	225	255	423

P-T Rating

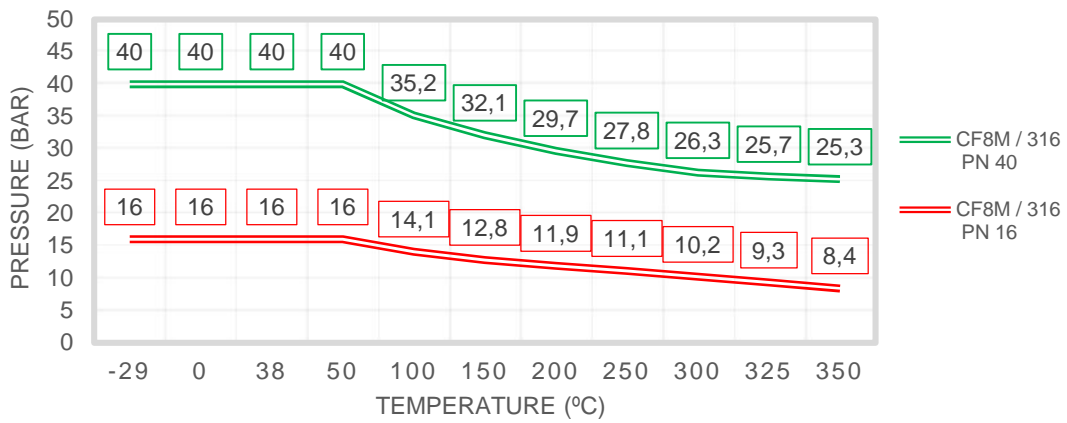
PN16		
Pressure-Temperature Ratings [bar]		
Size	DN25 to DN100 / 1" to 4"	
	WCB / LF2	CF8M / 316
Temperature		
-29°C ~ 38°C	16	16
200°C	13,8	11,9

PN40		
Pressure-Temperature Ratings [bar]		
Size	DN25 to DN100 / 1" to 4"	
	WCB / LF2	CF8M / 316
Temperature		
-29°C ~ 38°C	40	40
200°C	36,5	29,7

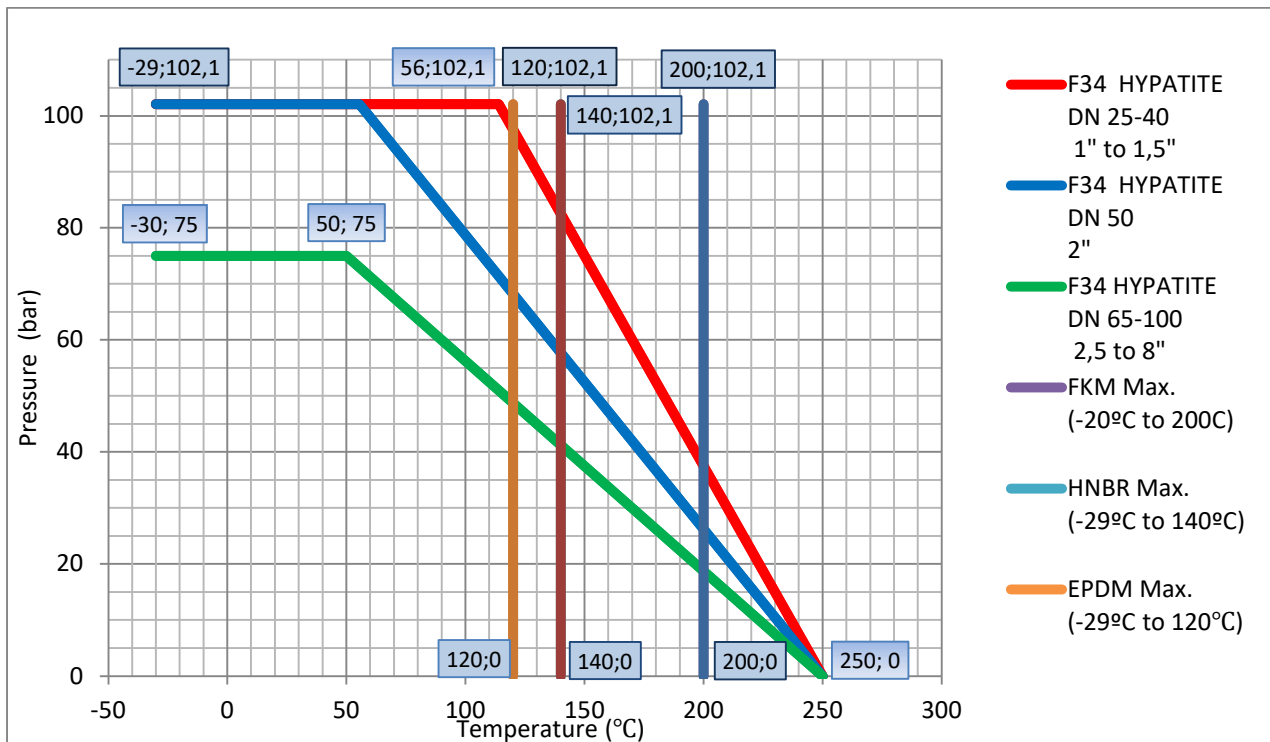
BODY RATING F34 PN16 Y PN40 (EN 12516-1)



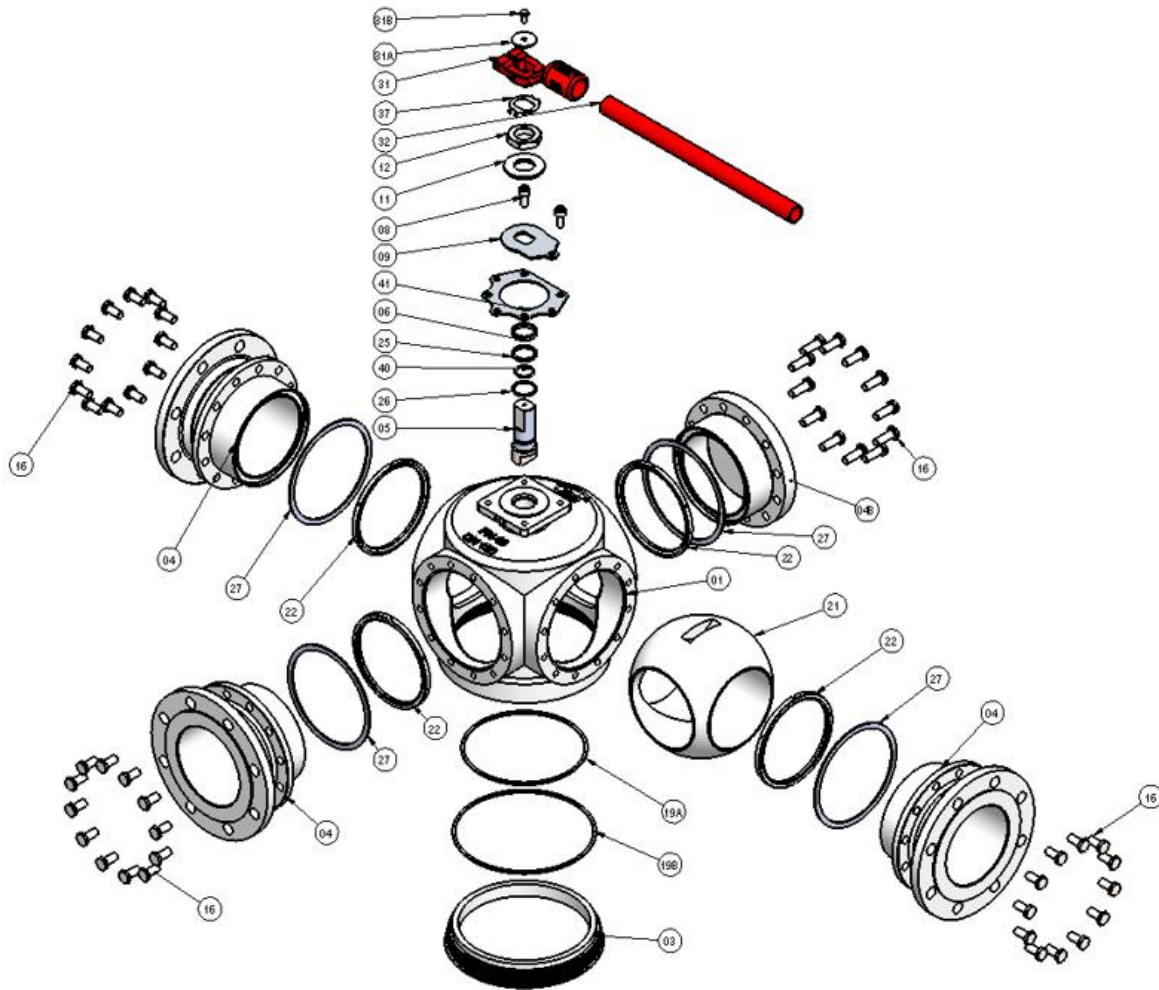
BODY RATING F34 PN16 Y PN40 (EN 12516-1)



Seats and Seals rating



Material List

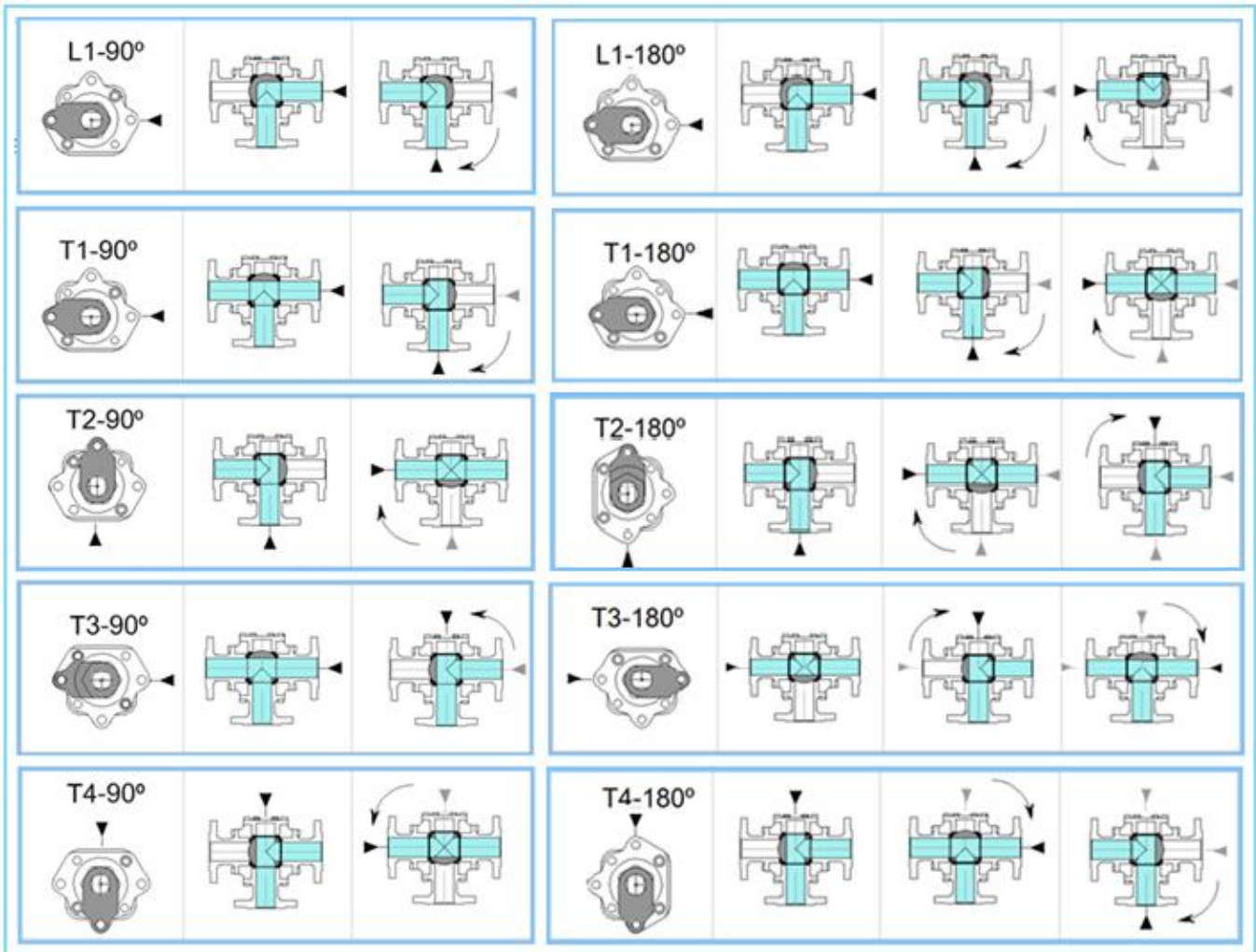


N_ITEM	Description	SS	CS
01	BODY	ASTM A351/A351M Gr. CF8M	ASTM A216/A216M WCC/WCB
03	INSERT	ASTM A351/A351M Gr. CF8M	ASTM A216/A216M WCC/WCB
04	CAP	ASTM A351/A351M Gr. CF8M	ASTM A216/A216M WCC/WCB
04B	CAP	ASTM A351/A351M Gr. CF8M	ASTM A216/A216M WCC/WCB
05	STEM	ASTM A182 Gr. F316	ASTM A182 Gr. F316
06	GLAND	ASTM A479 TYPE 316 S31600	ASTM A479 TYPE 316 S31600
08	BOLT	ISO 3506 part 1/3 Gr. A2-70	ISO 3506 part 1/3 Gr. A2-70
09	STOPPER	ASTM A240 TYPE 304 S30400	ASTM A240 TYPE 304 S30400
11	DISC SPRING	Stainless steel	Stainless steel
12	NUT	Stainless steel	Stainless steel
16	BOLT	ASTM A193 B8/B8M	ASTM A193 B7/B7M
19A	GASKET	PTFE	PTFE
19B	GASKET	GRAPHITE + 316I	GRAPHITE + 316I
21	BALL	ASTM A182 Gr. F316	ASTM A182 Gr. F316
22	SEAT	TEM 1600	TEM 1600
25	PACKING	Mold Graphite	Mold Graphite
26	ERLECTION RING	PTFE	PTFE
27	GASKET	GRAPHITE + 316I	GRAPHITE + 316I
31A	WASHER	ASTM A240 TYPE 304 S30400	ASTM A240 TYPE 304 S30400
31B	BOLT	ISO 3506 part 1/3 Gr. A2-70	ISO 3506 part 1/3 Gr. A2-70
31/30	HANDLE HEAD	EN1563 G IS 400.15	EN1563 G IS 400.15
32	HANDLE BAR for DN100	Carbon steel	Carbon steel
37	SAFETY WASHER	ASTM A240 TYPE 304 S30400	ASTM A240 TYPE 304 S30400
40	O-RING	EKM HS 70 (-20°C / 200°C)	EKM HS 70 (-20°C / 200°C)

Configuration for 3 Ways valve

To 90°

180°



Configuration for 4 Ways valve to 90° & 180°

