

## F34 3 or 4 ways

Floating Ball Valve, ASME CLASS 150 / CLASS 300



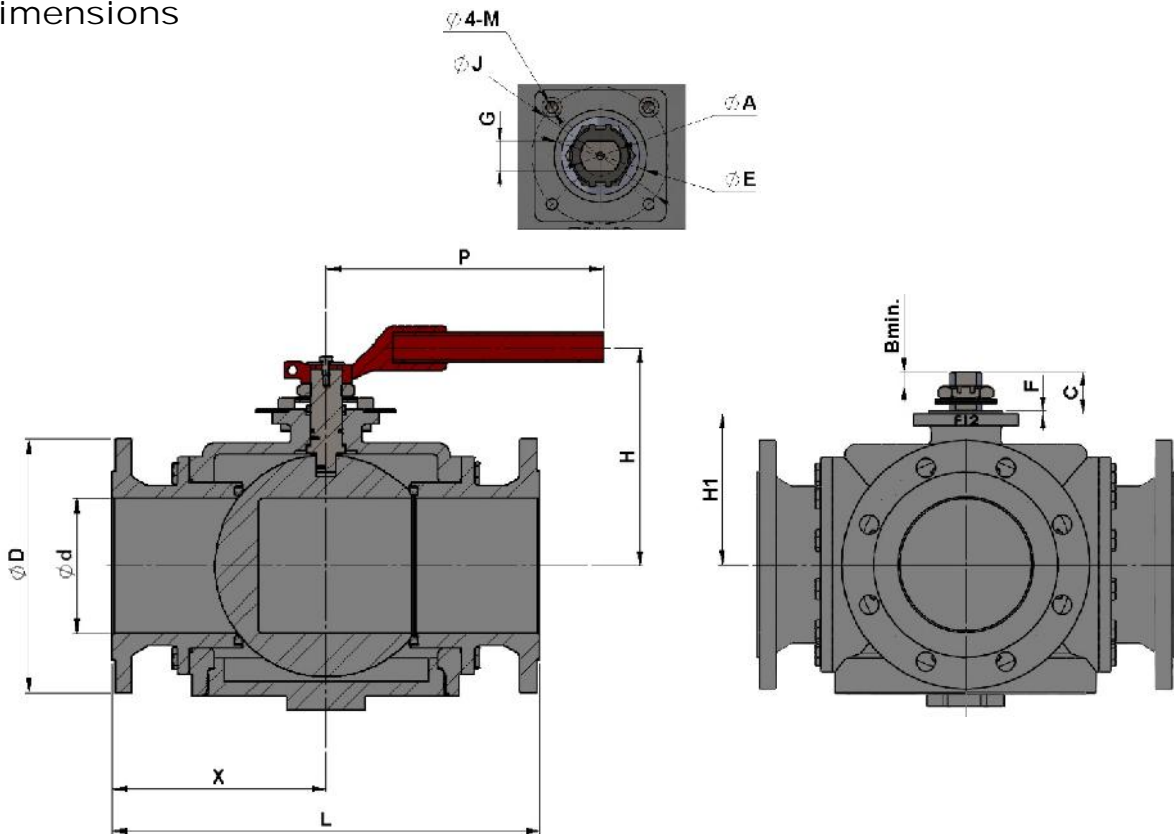
### Features

- J Structure: 6 pieces, body and caps are bolted, insert is threaded into the body
- J Valve: 3 or 4 ways configurable
- J Design Standards: ISO 17292 / ASME B16.34
- J Flanges: ASME B16.5, RF
- J Lengths: KITZ Standard
- J Leak test: EN 12266-1 Rate A / API 598
- J Top flange: ISO 5211
- J Port: Full Bore as Standard
- J Actuation: "Pinch type" lever
- J Sphere: Different configurations, shape in "L", "T" and "X"
- J Indicator: Unique locking device adjustable to 90° and 180°. easily adaptable to different configurations
- J Seats: HPTFE, provides better performance and longer life
- J Stem: Anti-static and proof Blow-out
- J Gaskets: As standard PTFE and FKM O-ring
- J Autoadjustable packing
- J Fire Sife design and packing
- J NACE MR0175

### Approvals

- J PED 2014/68/UE approval for CE marked products.
- J ATEX approval

## Dimensions



CLASS 150																	
Size	General Dimensions [mm]																Weight approx..
inch.	$\varnothing d$	$\varnothing D$	L	X	P	H	H1	A	B min.	C	E	F	G	$\varnothing J$	M	ISO 5211	[Kg]
1"	25	110	230	115	160	112	44,5	M14	9,5	24.5	30	1.5	11	42	M5	F04	8
1.1/2"	38	125	260	130	160	131	64	M14	12	27.5	30	1.5	11	42	M5	F04*	13,1
2"	51	150	290	145	230	152	92	$\varnothing 22$	11	31	55	2	17	70	M8	F07	24,3
2.1/2"	65	180	340	170	230	176	109	$\varnothing 22$	15	35	55	3	17	70	M8	F07	40,5
3"	76	190	380	190	230	176	109	$\varnothing 22$	15	35	55	3	17	70	M8	F07	44
4"	102	230	430	215	400	213	136	$\varnothing 28$	21	49	70	3	22	102	M10	F10	98

CLASS 300																	
Size	General Dimensions [mm]																Weight approx..
inch.	$\varnothing d$	$\varnothing D$	L	X	P	H	H1	A	B min.	C	E	F	G	$\varnothing J$	M	ISO 5211	[Kg]
1"	25	125	230	115	160	112	44,5	M14	9,5	24.5	30	1.5	11	42	M5	F04	9
1.1/2"	38	155	260	130	160	131	64	M14	12	27.5	30	1.5	11	42	M5	F04*	17
2"	51	165	290	145	230	152	92	$\varnothing 22$	11	31	55	2	17	70	M8	F07	27,5
2.1/2"	65	190	340	170	230	176	109	$\varnothing 22$	15	35	55	3	17	70	M8	F07	44,2
3"	76	210	380	190	230	176	109	$\varnothing 22$	15	35	55	3	17	70	M8	F07	50,1
4"	102	255	430	215	400	213	136	$\varnothing 28$	21	49	70	3	22	102	M10	F10	106

## Operation Torque (BTO)

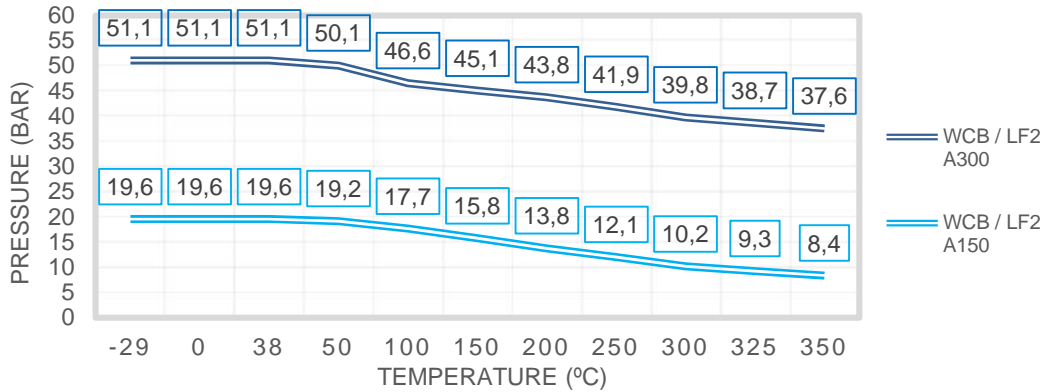
SIZE	Maximum differential pressure [bar] / Torque (BTO) [Nm]				MAST
	16	21	40	51	
1"	9	11	16	18	32
1.1/2"	28	36	44	48	110
2"	48	55	59	65	200
2.1/2"	90	110	125	140	200
3"	90	110	125	140	200
4"	150	175	225	255	423

## P-T Rating

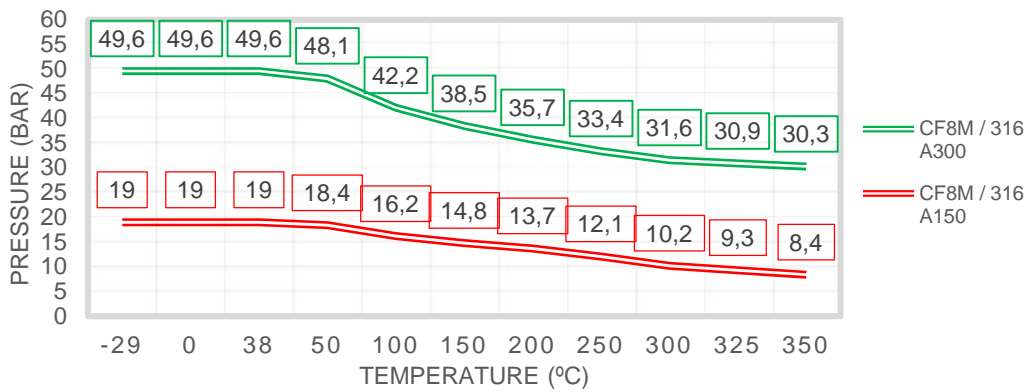
CLASS 150		
Pressure-Temperature Ratings [bar]		
Temperature \ Size	DN25 to DN100 / 1" to 4"	
	WCB / LF2	CF8M / 316
-29°C ~ 38°C	19,6	19
200°C	13,8	11,9

CLASS 300		
Pressure-Temperature Ratings [bar]		
Temperature \ Size	DN25 to DN100 / 1" to 4"	
	WCB / LF2	CF8M / 316
-29°C ~ 38°C	51,1	49,6
200°C	37,6	29,7

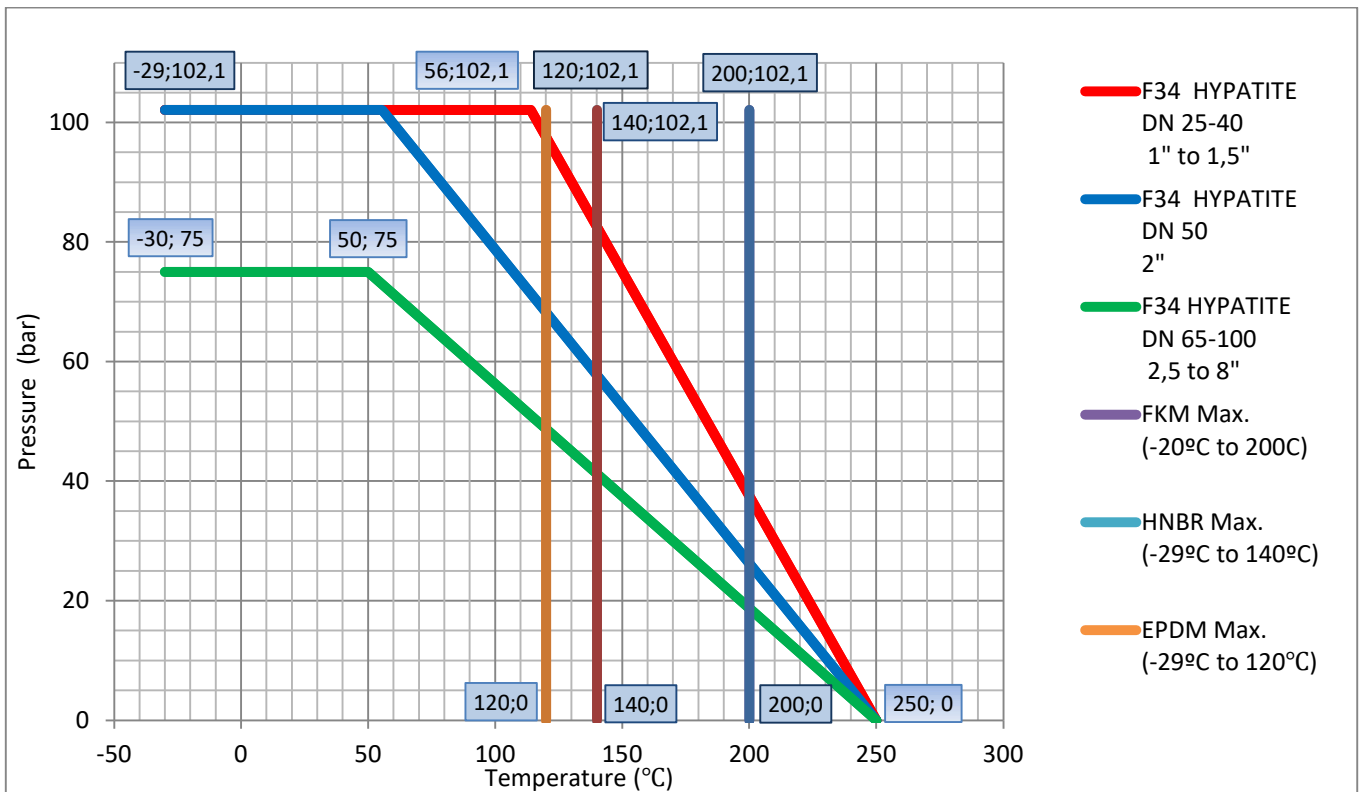
**BODY RATING F34 A150 Y A300 (B16.34)**



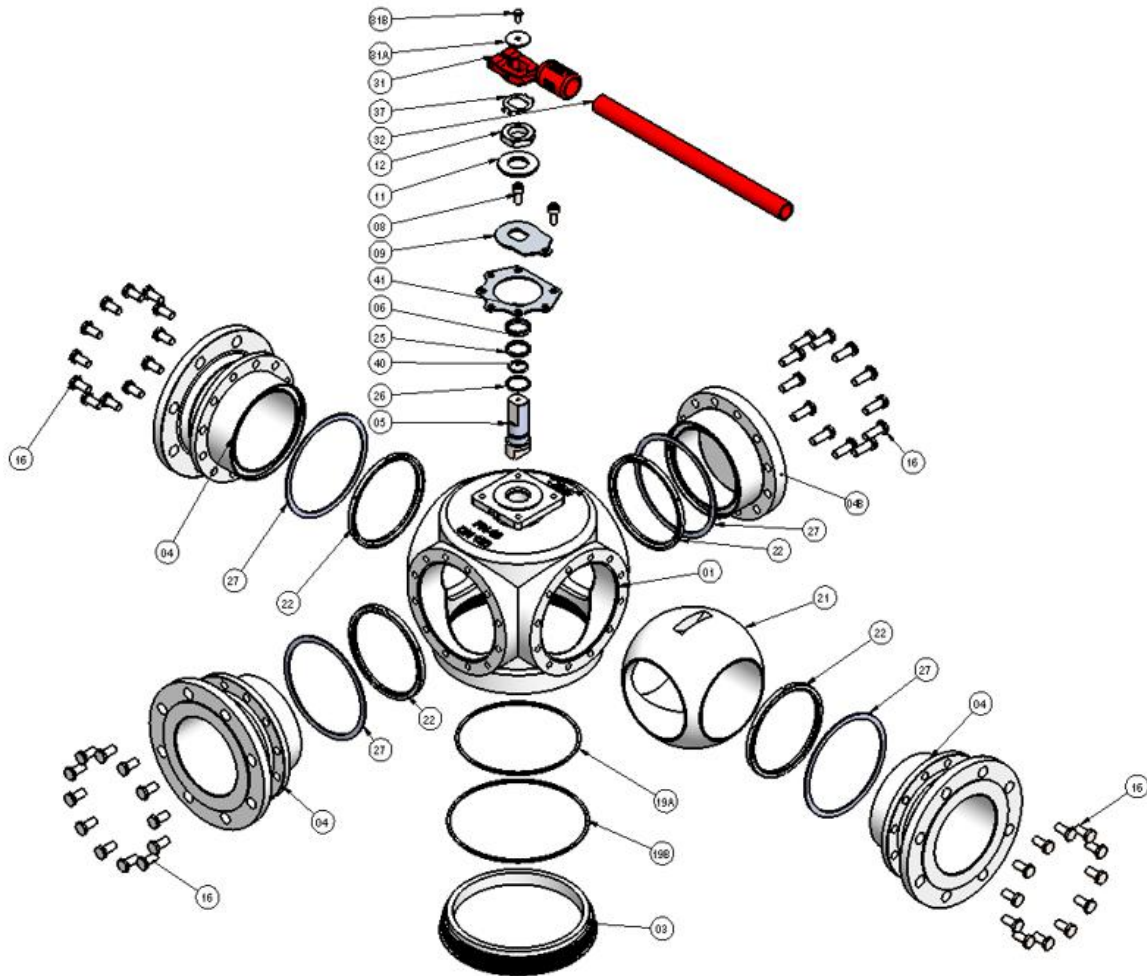
**BODY RATING F34 A150 Y A300 (B16.34)**



**SEATS AND SEALS RATING**



Material List (Standard)



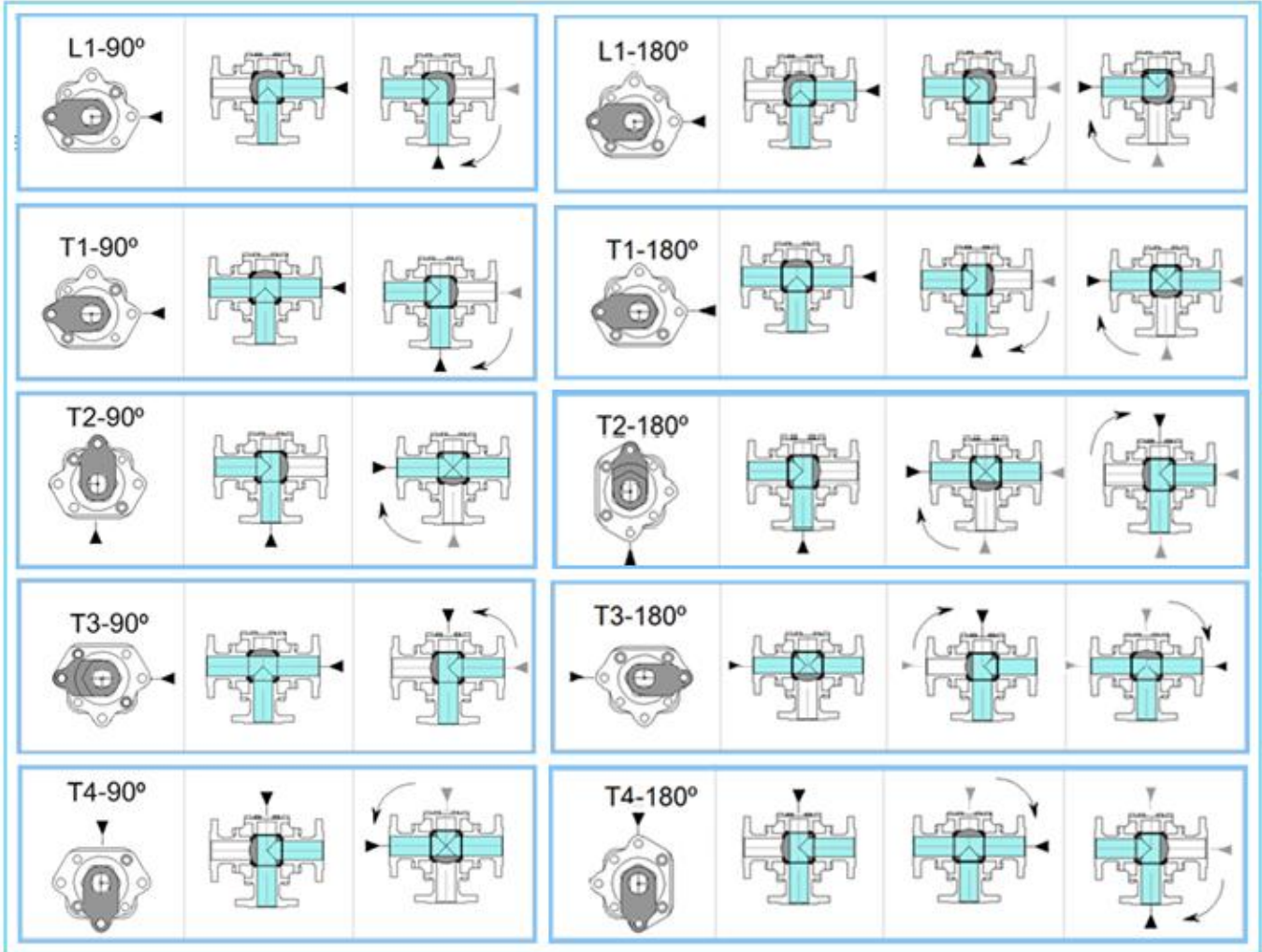
N_ITEM	Description	SS	CS
01	BODY	ASTM A351/A351M Gr. CF8M	ASTM A216/A216M WCC/WCB
03	INSERT	ASTM A351/A351M Gr. CF8M	ASTM A216/A216M WCC/WCB
04	CAP	ASTM A351/A351M Gr. CF8M	ASTM A216/A216M WCC/WCB
04B	CAP	ASTM A351/A351M Gr. CF8M	ASTM A216/A216M WCC/WCB
05	STEM	ASTM A182 Gr. F316	ASTM A182 Gr. F316
06	GLAND	ASTM A479 TYPE 316 S31600	ASTM A479 TYPE 316 S31600
08	BOLT	ISO 3506 part 1/3 Gr. A2-70	ISO 3506 part 1/3 Gr. A2-70
09	STOPPER	ASTM A240 TYPE 304 S30400	ASTM A240 TYPE 304 S30400
11	DISC SPRING	Stainless steel	Stainless steel
12	NUT	Stainless steel	Stainless steel
16	BOLT	ASTM A193 B8/B8M	ASTM A193 B7/B7M
19A	GASKET	PTFE	PTFE
19B	GASKET	GRAPHITE + 316L	GRAPHITE + 316L
21	BALL	ASTM A182 Gr. F316	ASTM A182 Gr. F316
22	SEAT	TFM 1600	TFM 1600
25	PACKING	Mold Graphite	Mold Graphite
26	FRICTION RING	PTFE	PTFE
27	GASKET	GRAPHITE + 316L	GRAPHITE + 316L
31A	WASHER	ASTM A240 TYPE 304 S30400	ASTM A240 TYPE 304 S30400
31B	BOLT	ISO 3506 part 1/3 Gr. A2-70	ISO 3506 part 1/3 Gr. A2-70
31/30	HANDLE HEAD	EN1563 GJS 400-15	EN1563 GJS 400-15
32	HANDLE BAR	Carbon steel	Carbon steel
37	SAFETY WASHER	ASTM A240 TYPE 304 S30400	ASTM A240 TYPE 304 S30400
40	O-RING	FKM HS 70 (-20°C / 200°C)	FKM HS 70 (-20°C / 200°C)
41	LEVA KEY LOCK PLATE	ASTM A240 TYPE 304 S30400	ASTM A240 TYPE 304 S30400



Configuration for 3 Ways valve

To 90°

180°



Configuration for 4 Ways valve to 90° & 180°

