

## **F14**

# **Floating Ball Valve PN16**



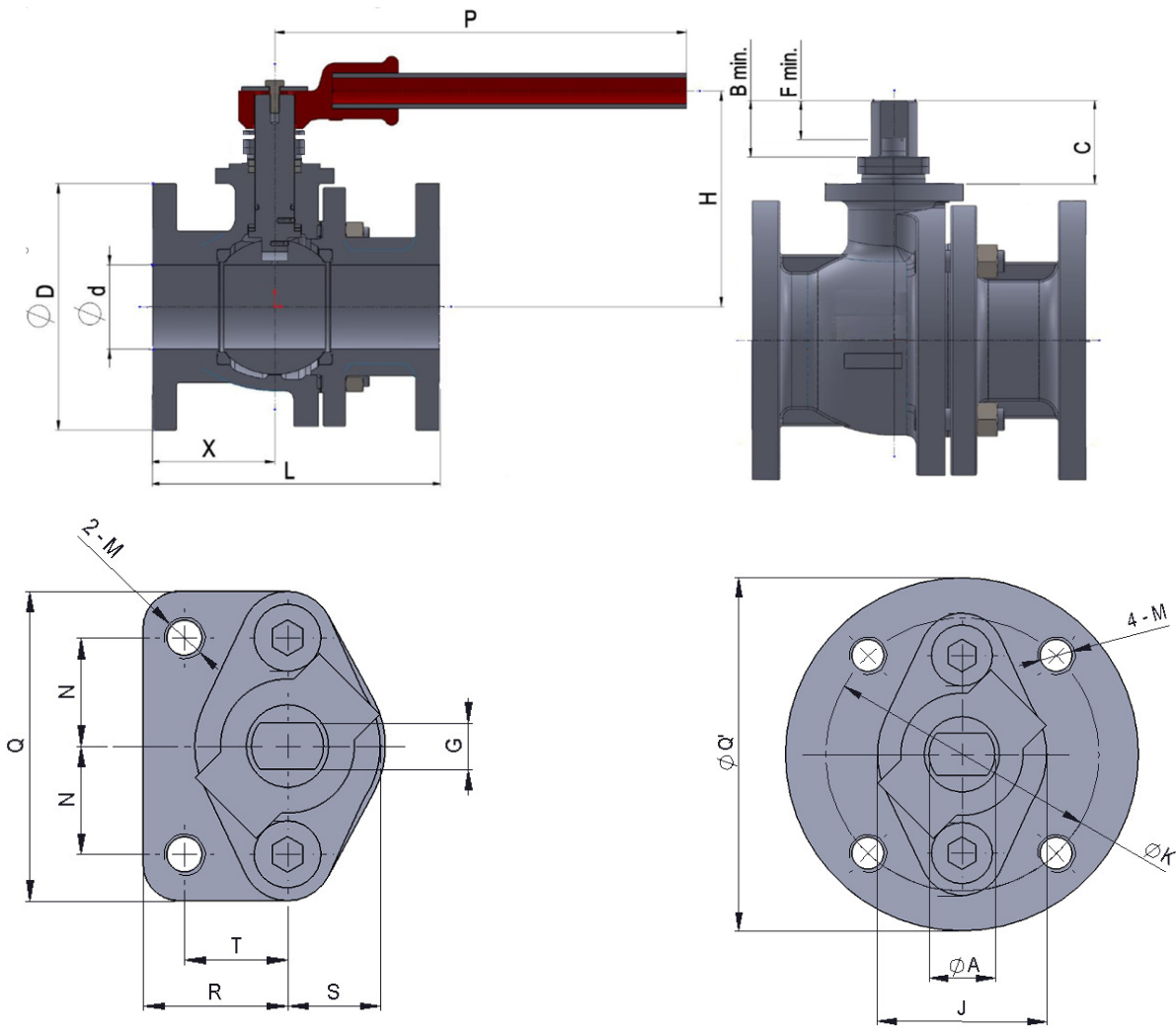
### **Features**

- Full bore. Split body
- **Design Standards:** EN ISO 17292
- **Flanges:** EN 1092-1, Type A (Flat Face)
- **Length / Face to Face:** EN 558
- **Leak test:** EN 12266-1 Rate A / API 598
- **Top Flange:** Special
- **Seats:** PTFE
- **Stem:** : Anti-static and proof Blow-out
- Autoadjustable packing

### **Approvals**

- PED 2014/68/UE approval for CE
- ATEX approval

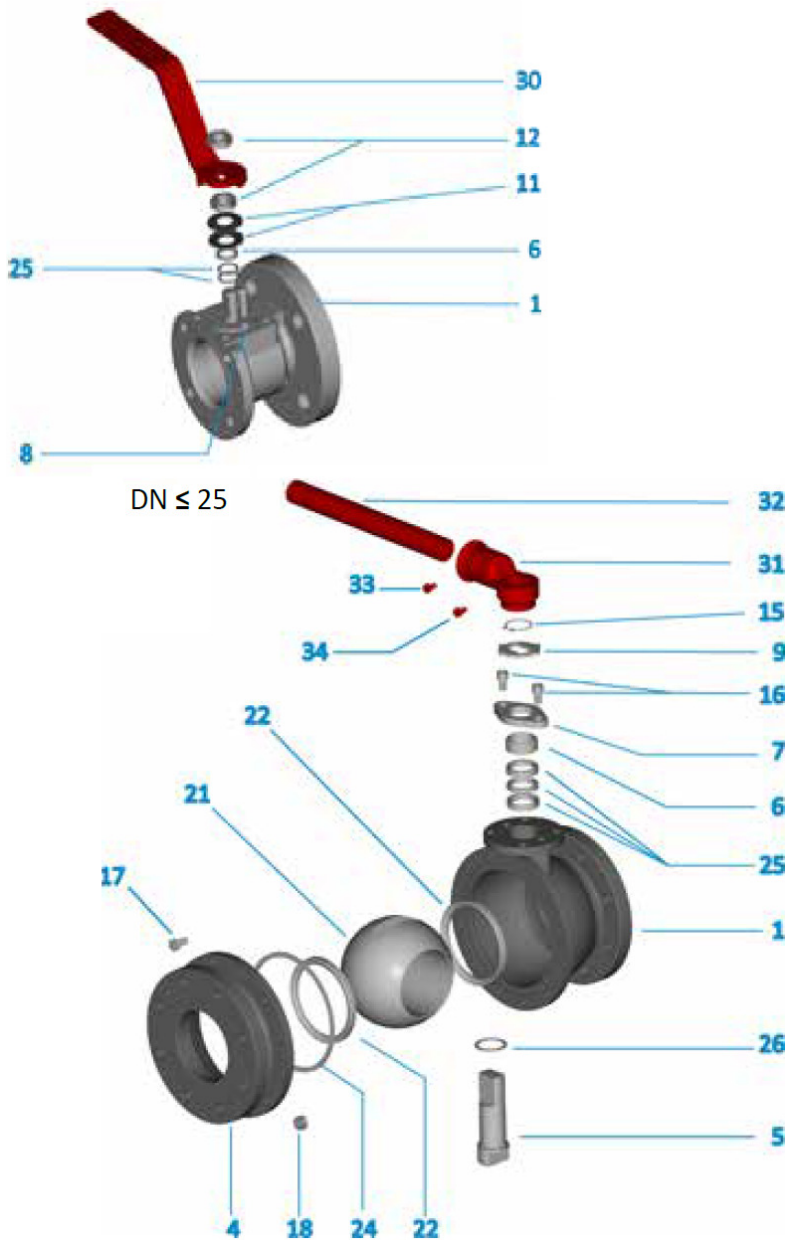
**Dimensions**



PN 16																						
Size	General Dimensions [mm]																			Kv	Weight	Torque
mm	$\varnothing d$	$\varnothing D$	L	X	P	H	$\varnothing A$	B	C	F	G	J	$\varnothing K$	M	N	Q & Q'	R	S	T	[m <sup>3</sup> /h] [bar]	[Kg]	N-m
DN15	12	95	115	52	150	85	M10	9.5	16.5	-	6	-	-	M6	11	34	20	14	12	15	1,8	5
DN20	19	105	120	55	150	90	M10	9.5	16.5	-	6	-	-	M6	11	34	20	14	12	34	2,8	6
DN25	25	115	125	58	150	104	M12	10	18.5	-	8	-	-	M6	18	50	25	15	12	55	3,7	8
DN32	32	140	130	58	200	115	$\varnothing 14$	19	28	14	9	36	-	M8	21	60	28	18	20	90	5,7	15
DN40	38	150	140	60	200	120	$\varnothing 14$	19	28	14	9	36	-	M8	21	60	28	18	20	130	7,1	20
DN50	51	165	150	60	250	132	$\varnothing 24$	30	40	23	19	48	-	M10	31	84	36	24	25	220	10,6	25
DN65	65	185	170	75	250	144	$\varnothing 24$	30	40	23	19	48	-	M10	31	84	36	24	25	330	15	40
DN80	76	200	180	78	250	154	$\varnothing 24$	30	40	23	19	48	-	M10	31	84	36	24	25	840	18,5	60
DN100	102	220	190	95	500	212	$\varnothing 36$	42	58	30	22	64	$\varnothing 90$	M12	-	110	-	-	-	1350	29	120
DN125	111	250	325	162	500	214	$\varnothing 36$	42	58	30	22	64	$\varnothing 90$	M12	-	110	-	-	-	1880	40	150
DN150	144	285	350	175	750	238	$\varnothing 36$	42	58	30	22	64	$\varnothing 90$	M12	-	110	-	-	-	3500	73	250
DN200	190	340	400	200	1500#	303*	$\varnothing 50$	42	64	-	30	80	$\varnothing 125$	M16	-	165	-	-	-	7600	146*	500

\* Gear Box included  
# Handle option

**Material list**



Pos.	Description	Material
01	Body	EN 1561 GJL-250
04	Cap	EN 1561 GJL-250
05	Antistatic stem*	ASTM A182 Gr. F316 / ASTM A479 Type 316 (≤DN50) ASTM A479 Type 410(DN>50)
06	Gland ring	ASTM A479 Type 316
07	Gland Flange	Carbon Steel
08	Stop pin (≤DN25)	Carbon Steel
09	Stopper plate	Carbon Steel
11	Disk spring (≤DN25)	Carbon Steel
12	Gland nut (≤DN25)	Carbon Steel
16	Gland Bolt	DIN 267 C8.8
17	Stud Bolt	DIN 267 C8.8
18	Nut	DIN 267 C8.8
21	Ball	ASTM A479 Tipo 316 EN 10213 1.4408 ASTM A351 Gr.CF8M ASTM A182 Gr. F316 DIN 1.4027 (DN>50)
22	Seat *	PTFE
24	Gasket	PTFE (≤DN25) Flexite + 316L (≥DN32)
25	Gland packing	PTFE + 25% aphite (≤DN25) PTFE (≥DN32)
26	Thrust washer	PTFE + 25% Graphite (≤DN25) PTFE (≥DN32)
30	Handle (≤DN40)	Ductile Iron
31	Handle head (≥DN50)	Ductile Iron
32	Handle bar (≥DN50)	Carbon Steel
33	Handle bolt (≥DN50)	Stainless Steel
34	Handle bolt (≥DN50)	Stainless Steel
35	Bolt (≥DN50)	Stainless Steel
36	Washer (≥DN50)	Stainless Steel

\* Various materials for antistatic stem, seats and O-rings are available as optional.

Note: Components arrangement may vary depending on the size.