

VU19 - VU29

Floating Ball Valve, PN40 / PN63



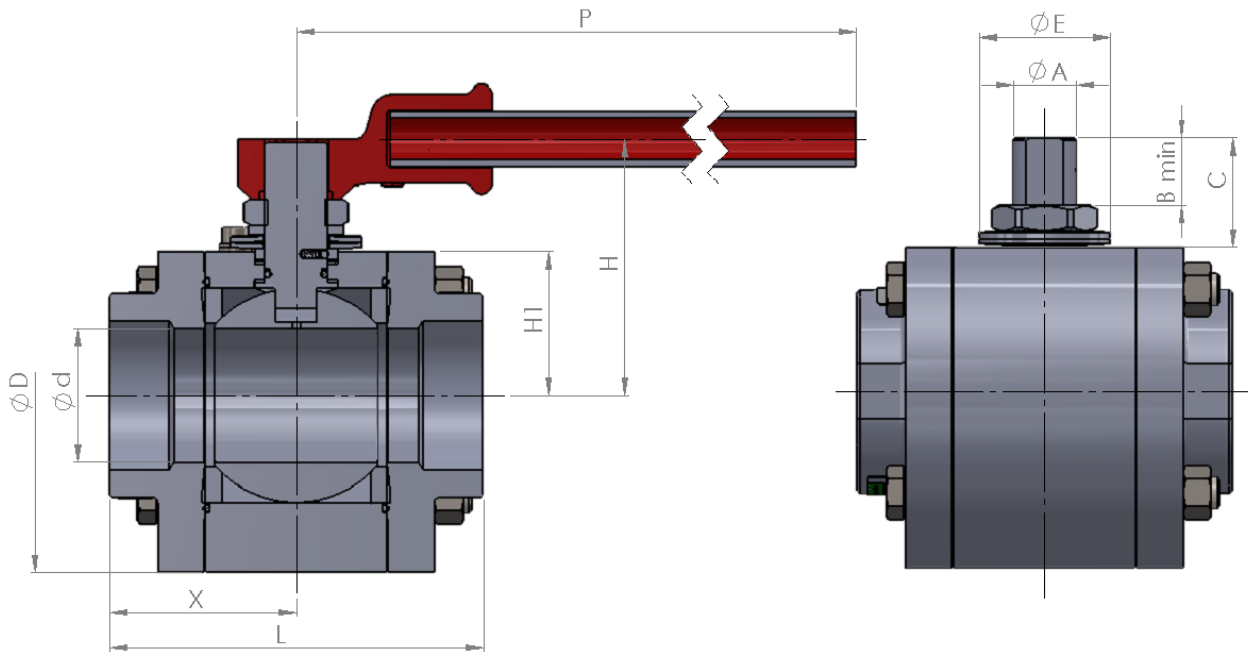
Features

- 3 pieces valve. Full bore (reduced bore as option)
- **Design Standard:** EN 1983
- **Ends:**
 - Butt-Welding EN 12760
 - Socket Welding EN 12627
 - Threaded NPT ANSI B 1.20.1 o BSP ISO 228-1
- **Lengths / Face-to-face:**
 - Butt-Welding EN12982-5 (2009)
 - Socket Welding KITZ Standard
 - Threaded End KITZ Standard
- **P/T Rating:** EN 12516-1
- **Leak Test:** EN 12266-1 Rate A / API 598
- **Top connection:** KITZ Standard
- **Seats:** PTFE
- **Estem:** Anti-static and proof blow-out
- Autoadjustable packing

Approvals

- PED 2014/68/UE approval for CE marked products
- Marine División certificate
- ATEX approval

Dimensions



VU29 PN 63												
Size	General Dimensions (mm)											
Ø Nominal	Ø d	Ø D	L	X	P	H	H1	A	B	C	E	Weight* [Kg]
DN 08	11	67	70	35	150	92	26,5	M10	9,5	15,5	21	1,2
DN 10	12,5	67	70	35	150	92	26,5	M10	9,5	15,5	21	1,2
DN 15	14	67	70	35	150	92	26,5	M10	9,5	15,5	21	1,3
DN 20	19	80	90	45	150	105	33	M10	9,5	12,5	21	2,3
DN 25	25	95	100	50	150	105	35	M12	10,5	18,5	25	3,5
DN 32	32	104	106	53	200	110	43	M14	18	32	35	5
DN 40	38	112	121	60,5	200	115	50	M14	18	32	35	6,5
DN 50	51	135	143	71,5	350	95	55	M24	30	42	51	9

VU19 PN 40												
Size	General Dimensions (mm)											
Ø Nominal	Ø d	Ø D	L	X	P	H	H1	A	B	C	E	Weight* [Kg]
DN 65	65	150	156	78	350	117	70	M24	20,5	38,5	51	10
DN 80	76	179	178	89	350	121	80	M24	24,5	38,5	51	22,5
DN 100	102	226	239	119,5	350	191	111	M36	39	65,5	71	44

Note: Length for Butt-welding according required series from de EN 12982-5

*Weights are approximate.

Pressure-Temperature Rating

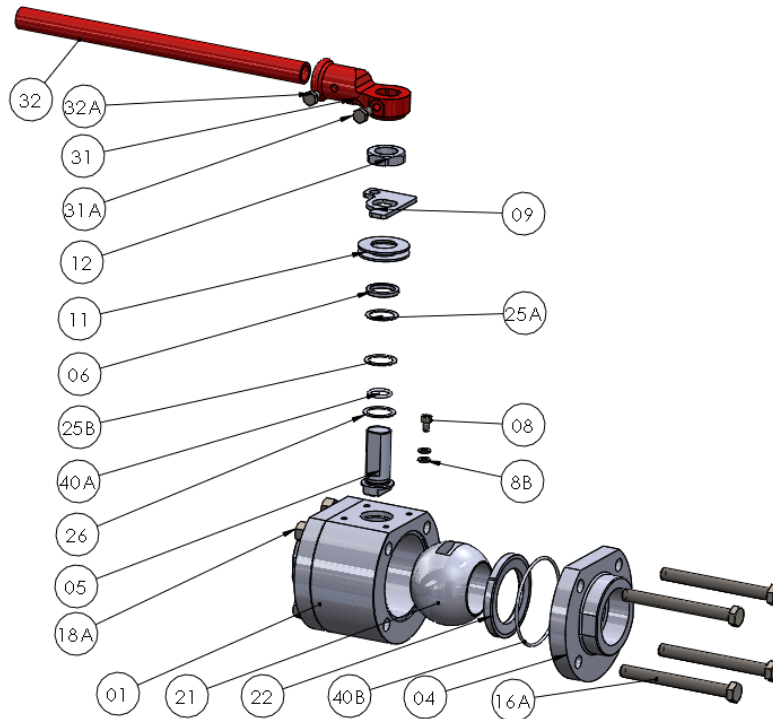
Maximum Pressure / Minimum Temperature			
MATERIAL	O'Ring	VU 29 Seat: H-PTFE / PTFE	VU 19 Seat: H-PTFE / PTFE
LF2	HNBR	63 bar at -29°C	40 bar at -29°C
	FKM	63 bar at -20°C	40 bar at -20°C
316L	HNBR	54 bar at -29°C	34 bar at -29°C
	FKM	54 bar at -20°C	34 bar at -20°C

Maximum Pressure / Maximum Temperature – PTFE Seat				
MATERIAL	O'Ring	VU29		VU19 DN65 - DN100
		DN08 - DN40	DN50	
LF2	HNBR	59 bar at 140°C	46 bar at 140°C	32 bar at 140°C
	FKM	23 bar at 200°C	15 bar at 200 °C	10 bar at 200°C
316L	HNBR	42 bar at 140°C	42 bar at 140°C	26 bar at 140°C
	FKM	23 bar at 200°C	15 bar at 200°C	10 bar at 200°C

Maximum Pressure / Maximum Temperature - R-PTFE Seat*				
MATERIAL	O'Ring	VU29		VU19 DN65 - DN100
		DN08 - DN40	DN50	
LF2	HNBR	59 bar at 140°C	57 bar at 140°C	37 bar at 140°C
	FKM	37 bar at 200°C	26 bar at 200°C	18 bar at 200°C
316L	HNBR	42 bar at 140°C	42 bar at 140°C	26 bar at 140°C
	FKM	37 bar at 200°C	26 bar at 200°C	18 bar at 200°C

* R-PTFE includes materials: PTFE+Glass filled, PTFE+Graphite, PTFE+SS and H-PTFE.

Material List



POS.	Description	Carbon Steel	Stainless Steel
01	Body	ASTM A350 Gr.LF2 Class 1	ASTM A182 Gr. F316L
04	Cap	ASTM A350 Gr.LF2 Class 1	ASTM A182 Gr. F316L
05	Antistatic stem*	ASTM A182 Gr.F316 / ASTM A479 Type 316	
06	Gland ring	ASTM A182 Gr. F316	
08	Stopper	Stainless Steel	
09	Stopper plate	Stainless Steel	
11	Disk spring	Stainless Steel	
12	Gland nut	Stainless Steel	
16A	Bolt	ISO 3506 part 1/3 Gr. A2-70	
18	Nut	ISO 3506 part 2 Gr. A2-70	
21	Ball*	ASTM A479 Type 316 or ASTM A182 Gr.F316 or EN 10213 1.4408 or ASTM A351 Gr.CF8M	
22	Seat*	PTFE	
40B	Body joint	FKM	PTFE
25	Glan packing	PTFE+Graphite	
26	Thrust washer	PTFE+Graphite	
31	Handle head (from 2")	Ductil Iron	
32	Handle bar (from 2")	Carbon Steel	
31A /32A	Handle bolt (from 2")	Stainless Steel	
40	O-ring*	FKM	

* Various stem, seats and O-rings materials are available as optional.

Note: Components arrangement may vary depending on the size.