

HB - Class 900 Carbon Steel / Stainless Steel Ball Valves

Full or reduced Bore Valve, 1 piece body construction

Features

- Antistatic device
- Blowout-proof stem
- Fire test certification
- High performance PCTFE ball seats

Standards

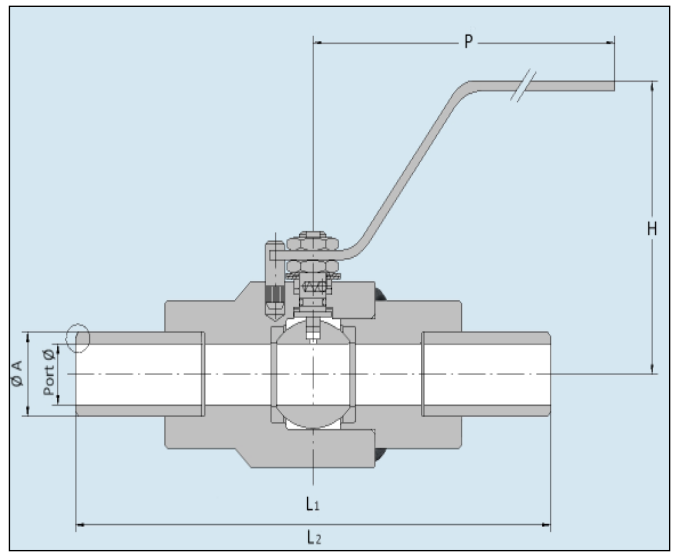
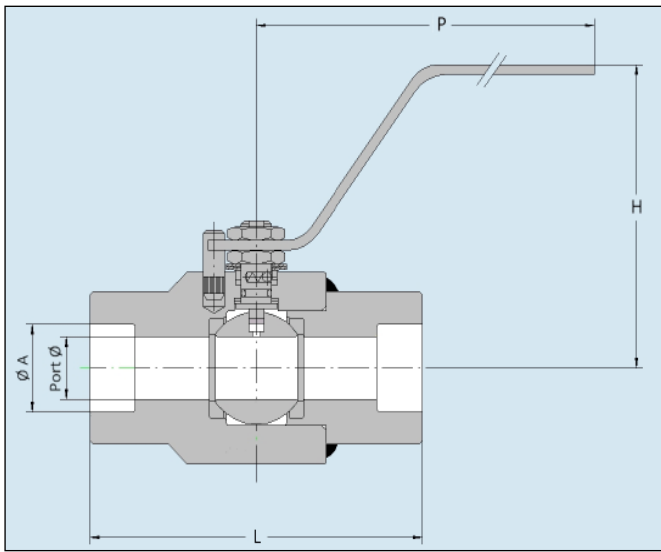
- Ball valves design according to BS EN 12516

- FSM according to API 607 - ISO 10497

Connections

- NPT thread: ANSI B1.20.1
- BSP thread: ISO228
- SW: Ansi B16.5
- BW: SW+Nipples Sch 40-80 (Ansi B16.25)

Page 7 for Construction and Materials



CLASS 900

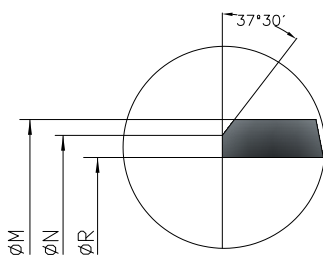
NPS		Port	Dimensions					SW sch A	
RB	FB		L	L1	L2	H	P	RB	FB
-	1/4"	12,5	90	240	400	85	150	-	14,1
-	3/8"							-	17,7
3/4"	1/2"							27,4	21,8
1"	3/4"	19	110			95	200	34,1	27,4
-	1"	25	120			110		-	34,1
1 1/2"	-	32	130			105		49	-
2"	1 1/2"	38	150	110	260	116	61	49	
-	2"	51	180	116			350	-	61

Dimensions: mm

Execution BW = SW + Nipple

NPS	ØM	Sch 10S		Sch 40S		Sch 80		Sch 160	
		ØN	ØR	ØN	ØR	ØN	ØR	ØN	ØR
1/2"	21,3	-	17,1	-	15,8	-	13,9	15,0	11,8
3/4"	26,7	-	22,5	-	21,0	-	18,9	18,8	15,6
1"	33,4	31,1	27,9	29,8	26,6	27,5	24,3	23,9	20,7
1 1/2"	48,3	46,0	42,8	44,1	40,9	41,3	38,1	37,2	34,0
2"	60,3	58,0	54,8	55,7	52,5	52,4	49,2	46,1	42,9
Cod. CS						Standard		Special	
Cod. SS		Special		Standard					

Dimensions: mm

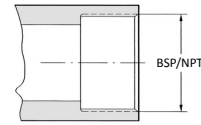


HB Class 900 - Construction and Standard Materials

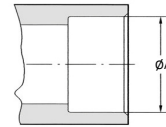
No.	Parts	Carbon Steel	Stainless Steel
1	Body	ASTM A105	ASTM A479 316L
4	Body Connector	ASTM A105	ASTM A479 316L
5	Antistatic Stem	ASTM A564 Type 630	
6	Gland	ASTM A479 Type 316	
8	Stop Pin	Steel	DIN 267/11 A2-70
9	Stop plate (DN>1")	Steel	
11	Spring washer	Blued steel	304CSP
12	Nut	DIN 267/3 C 8 .8 blued	DIN 267/11 A2-70
21	Ball	DN ≤ 1": ASTM A479 Type 316 DN ≥ 1½": DIN 1.4408 (CF8M)	
22	Ball seat	PCTFE	
25	Gland Packing	Graphite	
26	Stem Seal	DN ≤ 1": PTFE + 25% Graphite DN ≥ 1½": PTFE	
28	Nipple	ASTM A106 gr. B	ASTM A312 Type 316L
30	Handle	DN ≤ 1": Steel coated DN ≥ 1½": GGG40	
40	Stem O'ring	FKM (AED)	

END CONNECTIONS

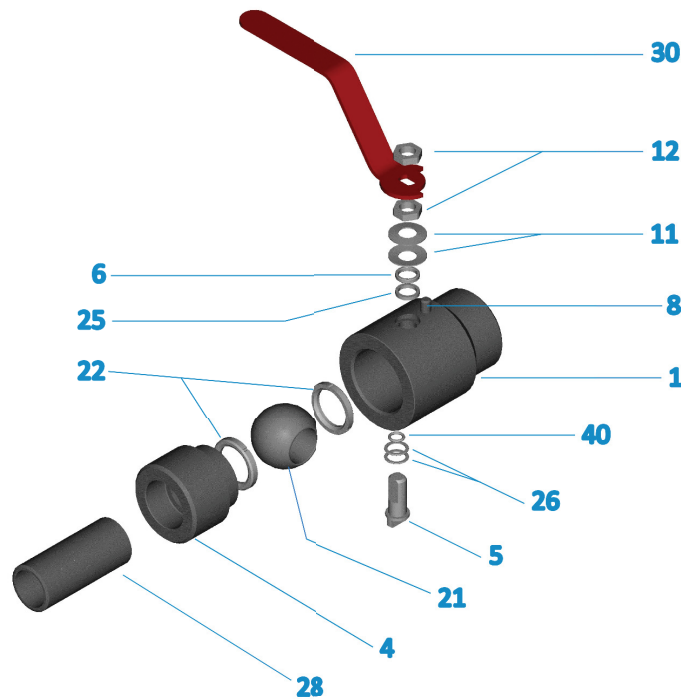
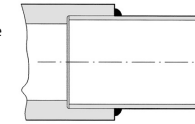
BSP
NPT



SW Sch
SW mm.



BW:
SW+Nipple



All part numbers are corresponding with those shown in valve assembly drawings.

HB - Class 1500 Carbon Steel / Stainless Steel Ball Valves

Full or reduced Bore Valve, 1 piece body construction

Features

- Antistatic device
- Blowout-proof stem
- Fire test certification
- High performance **DEVLON** ball seats

Standards

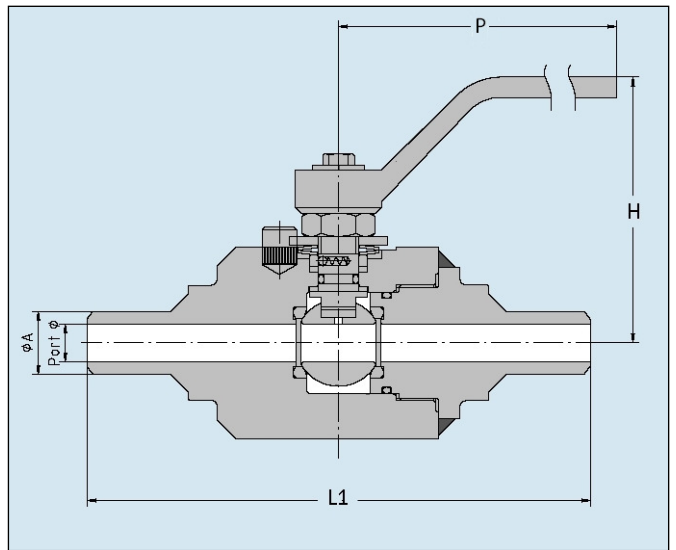
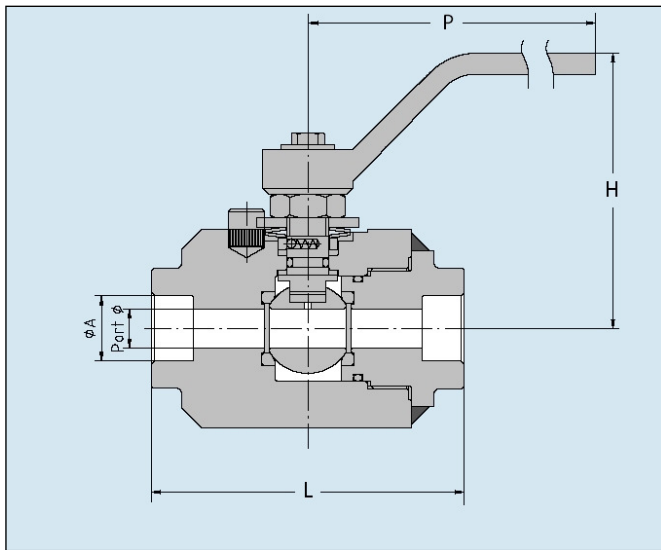
- Ball valves design according to ASME B16.34

- FSM according to API 607 - ISO 10497

Connections

- NPT thread: ANSI B1.20.1
- BSP thread: ISO228
- SW: Ansi B16.34
- BW: SW+Nipples Sch 40-80 (Ansi B16.25)

Page 9 for Construction and Materials



CLASS 1500

NPS		Port	Dimensions							
			L	L1	H	P	SW sch A		BW sch A	
RB	FB	RB					FB	RB	FB	
-	1/4"	7	104	300	92	200	-	14,1	-	-
-	3/8"	10					-	17,7	-	-
3/4"	1/2"	13					27,7	22,2	26,7	21,3
1"	3/4"	19					34,5	27,7	33,4	26,7
-	1"	25	140	340	110	350	-	34,5	-	33,4
2"	1 1/2"	38	190	390	120		62	49,6	60,3	48,3
-	2"	49	210	410	130		-	62	-	60,3

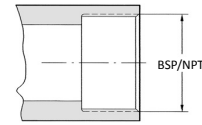
Dimensions: mm

HB Class 1500 - Construction and Standard Materials

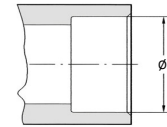
No.	Parts	Carbon Steel	Stainless Steel
1	Body	ASTM A105/A105N	ASTM A479 Type 316L
4	Body Connector	ASTM A105/A105N	ASTM A479 Type 316L
5	Stem	ASTM A564 Type 630 H1150D	
5A	Antistatic ball and spring	316 SS	
6	Gland	ASTM A479 Type 316	
8	Stop pin	Steel coated	Stainless steel
9	Stopper plate	Steel zinc plated	
11	Spring washer	Steel coated	Stainless steel
12	Nut	Steel coated	Stainless steel
21	Ball	ASTM A479 S31803	
22	Seat	DEVLON	
25	Gland packing	Flexible graphite	
26	Thurst washer	PEEK	
30	Handle	Ductile iron (Up to size 1")	
31	Handle head	Ductile iron (Size 1.1/2" and over)	
32	Handle bar	Carbon steel (Size 1.1/2" and over)	
35	Bolt	Steel coated	Stainless steel
36	Washer	Steel coated	Stainless steel
40A	Stem O'ring	FKM (AED)	
40B	Body O'ring	FKM (AED)	

END CONNECTIONS

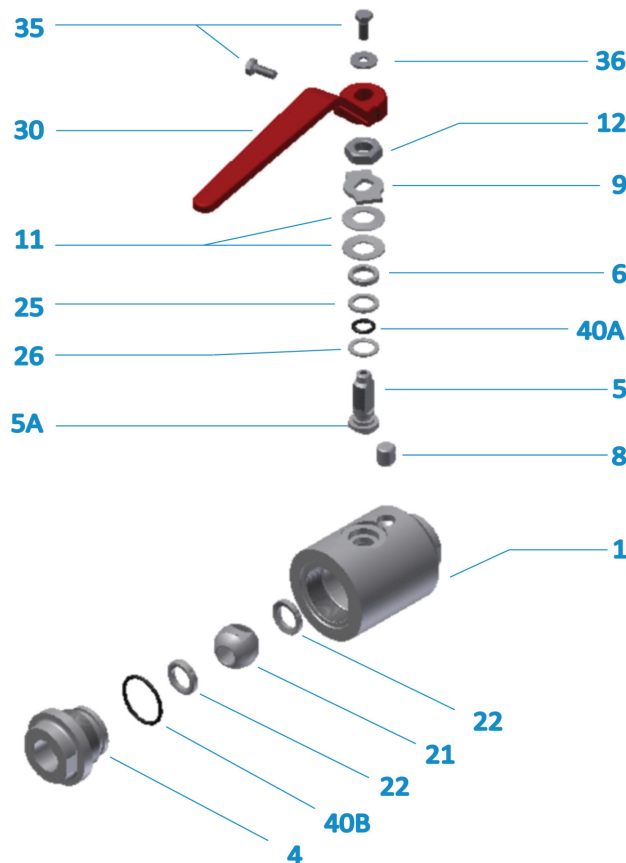
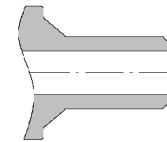
BSP
NPT



SW Sch
SW mm.



END: BW



All part numbers are corresponding with those shown in valve assembly drawings.

HB - Class 2500 Carbon Steel / Stainless Steel Ball Valves

Full or reduced Bore Valve, 1 piece body construction

Features

- Antistatic device
- Blowout-proof stem
- Fire test certification
- High performance **DEVLON** ball seats

Standards

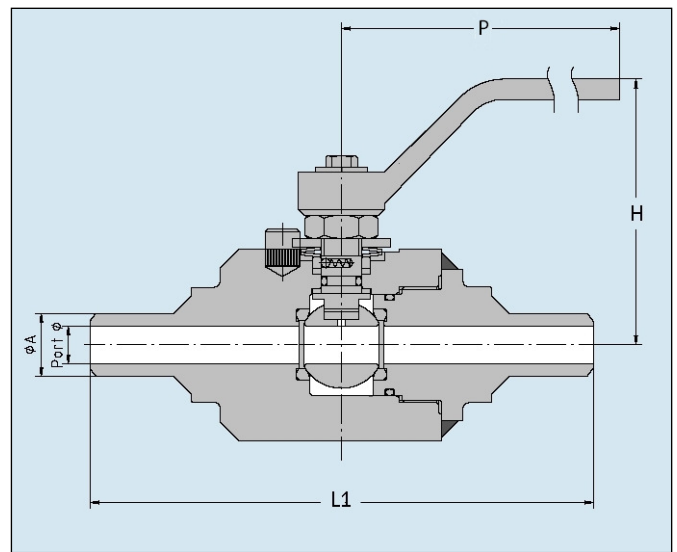
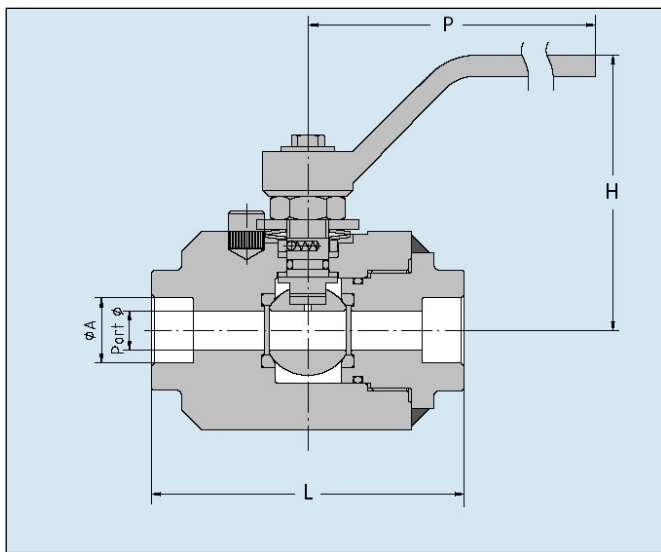
- Ball valves design according to ASME B16.34

- FSM according to API 607 - ISO 10497

Connections

- NPT thread: ANSI B1.20.1
- BSP thread: ISO228
- SW: Ansi B16.34
- BW: SW+Nipples Sch 40-80 (Ansi B16.25)

Page 11 for Construction and Materials



CLASS 2500

NPS		Port	Dimensions							
			L	L1	H	P	SW sch A		BW sch A	
RB	FB	RB					FB	RB	FB	
-	1/4"	7	104	300	92	200	-	14,1	-	-
-	3/8"	10					-	17,7	-	-
3/4"	1/2"	13					27,7	22,2	26,7	21,3
1"	3/4"	19					34,5	27,7	33,4	26,7
-	1"	25	120	320	96	350	-	34,5	-	33,4
2"	1 1/2"	38	140	340	110		62	49,6	60,3	48,3
-	2"	49	190	390	130		-	62	-	60,3
-	2"	49	210	410	145		-	62	-	60,3

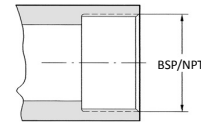
Dimensions: mm

HB Class 2500 - Construction and Standard Materials

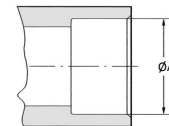
No.	Parts	Carbon Steel	Stainless Steel
1	Body	ASTM A105/A105N	ASTM A479 Type 316L
4	Body Connector	ASTM A105/A105N	ASTM A479 Type 316L
5	Stem	ASTM A564 Type 630 H1150D	
5A	Antistatic ball and spring	316 SS	
6	Gland	ASTM A479 Type 316	
8	Stop pin	Steel coated	Stainless steel
9	Stopper plate	Steel zinc plated	
11	Spring washer	Steel coated	Stainless steel
12	Nut	Steel coated	Stainless steel
21	Ball	ASTM A479 S31803	
22	Seat	DEVLON	
25	Gland packing	Flexible graphite	
26	Thurst washer	PEEK	
30	Handle	Ductile iron (Up to size 1")	
31	Handle head	Ductile iron (Size 1.1/2" and over)	
32	Handle bar	Carbon steel (Size 1.1/2" and over)	
35	Bolt	Steel coated	Stainless steel
36	Washer	Steel coated	Stainless steel
40A	Stem O'ring	FKM (AED)	
40B	Body O'ring	FKM (AED)	

END CONNECTIONS

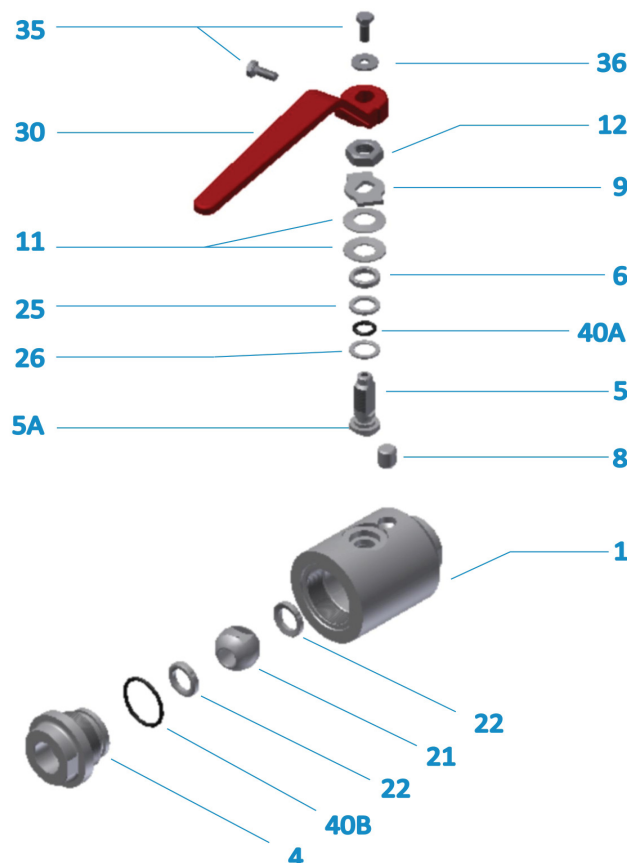
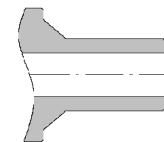
BSP
NPT



SW Sch
SW mm.



END: BW



All part numbers are corresponding with those shown in valve assembly drawings.