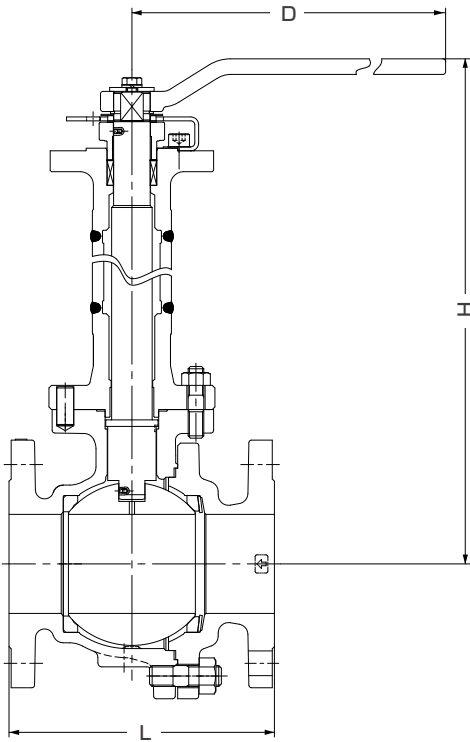


10K / 20K Class 150 / 300 Stainless Steel Floating Ball Design, Full Bore



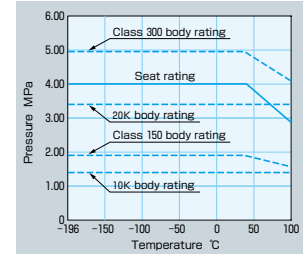
Design Specifications

Wall thickness	ASME B16.34
Face to face dimensions	ASME B16.10
Flange specifications	JIS B 2220 (10K / 20K) ASME B16.5 (150 / 300)

Materials

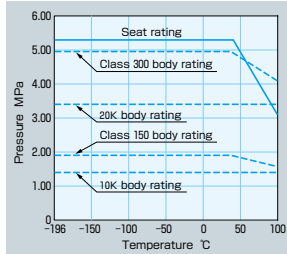
Name of parts	Materials
Body	SCS13A
Body cap	SCS13A
Bonnet	SUS304
Stem	SUS304
Seat spring	SUS304CSP (Size 2B and larger)
Ball	SUS304 or SCS13A
Ball seat A	HYPATITE PTFE
Ball seat B	HYPATITE PTFE PCTFE (Size 1½B and smaller)
Gasket	Flexible graphite spiral wound Flexible graphite seat
Bonnet bolt	SUS304 (B8)
Bonnet nut	SUS304 (8)
Gland packing	Flexible graphite die mold packing

10UTDZL 200, 250 150UTDZL 8, 10
20UTDZL 200 300UTDZL 8

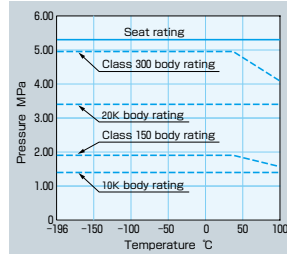


● Pressure-Temperature Rating (Seat Rating)

10UTDZL 15 to 40 150UTDZL ½ to 1½
20UTDZL 15 to 40 300UTDZL ½ to 1½



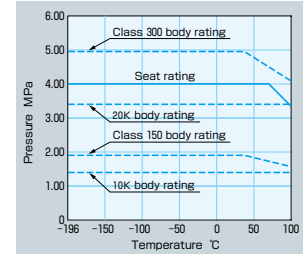
10UTDZL 50, 65 150UTDZL 2, 2½
20UTDZL 50, 65 300UTDZL 2, 2½



10UTDZL 80, 100 150UTDZL 3, 4
20UTDZL 80, 100 300UTDZL 3, 4



10UTDZL 125, 150 150UTDZL 5, 6
20UTDZL 125, 150 300UTDZL 5, 6

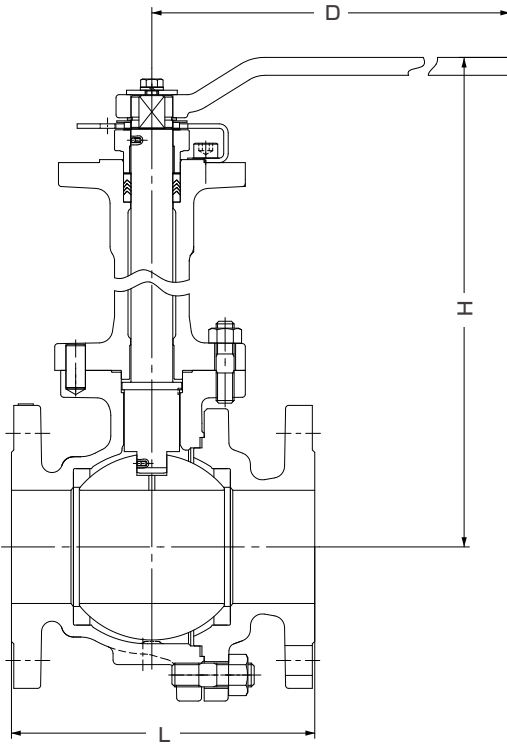


Range

Nominal size			A	mm															
				B	15	20	25	32	40	50	65	80	100	125	150	200	250	300	350
10K	RF-flanged	10UTDZL	L (flanged)	108	117	127	140	165	178	190	203	229	356	394	457	533	—	—	—
			H (full open)	330	333	354	358	421	430	526	536	619	635	758	841	937	—	—	—
			D	130	130	160	160	230	230	400	400	※	※	※	※	※	—	—	—
20K	RF-flanged	20UTDZL	L (flanged)	140	152	165	178	190	216	241	283	305	381	403	502	—	—	—	—
			H (full open)	330	333	354	358	421	435	557	557	619	663	755	849	—	—	—	—
			D	130	130	160	160	230	300	600	※	※	※	※	※	—	—	—	—
Class 150	RF-flanged	150UTDZL	L (flanged)	108	117	127	140	165	178	190	203	229	356	394	457	533	—	—	—
			H (full open)	330	333	354	358	421	430	526	536	619	635	758	849	937	—	—	—
			D	130	130	160	160	230	230	400	400	※	※	※	※	※	—	—	—
Class 300	RF-flanged	300UTDZL	L (flanged)	140	152	165	—	190	216	241	283	305	—	403	502	—	—	—	—
			H (full open)	330	333	354	—	421	435	557	557	619	—	755	849	—	—	—	—
			D	130	130	160	—	230	300	600	※	※	—	※	※	—	—	—	—

※ Gear operation only. Please contact KITZ Corporation for details.

10K / 20K Class 150 / 300 Stainless Steel Floating Ball Design, Full Bore



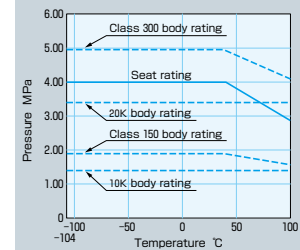
Design Specifications

Wall thickness	ASME B16.34
Face to face dimensions	ASME B16.10
Flange specifications	JIS B 2220 (10K / 20K) ASME B16.5 (150 / 300)

Materials

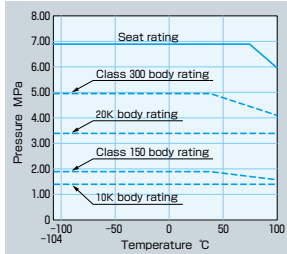
Name of parts	Materials
Body	SCS13A
Body cap	SCS13A
Bonnet	SCS13A
Stem	SUS304
Ball	SUS304 or SCS13A
Ball seat	HYPATITE PTFE
Gasket	Ceramic PTFE Flexible graphite spiral wound
Bonnet bolt	SUS304(B8)
Bonnet nut	SUS304(B)
Gland packing	PTFE

10UTDZXL 200, 250 150UTDZXL 8, 10
20UTDZXL 200 300UTDZXL 8

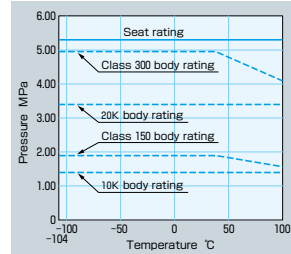


● Pressure-Temperature Rating (Seat Rating)

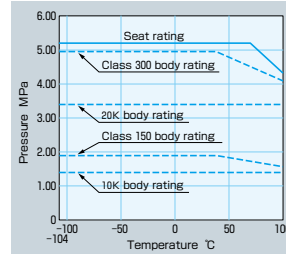
10UTDZXL 15 to 20 150UTDZXL 1/2 to 3/4
20UTDZXL 15 to 20 300UTDZXL 1/2 to 3/4



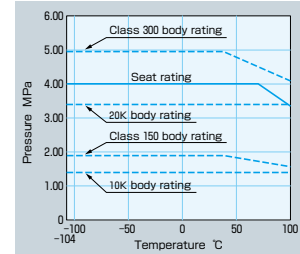
10UTDZXL 25 to 65 150UTDZXL 1 to 2 1/2
20UTDZXL 25 to 65 300UTDZXL 1 to 2 1/2



10UTDZXL 80, 100 150UTDZXL 3, 4
20UTDZXL 80, 100 300UTDZXL 3, 4



10UTDZXL 125, 150 150UTDZXL 5, 6
20UTDZXL 125, 150 300UTDZXL 5, 6

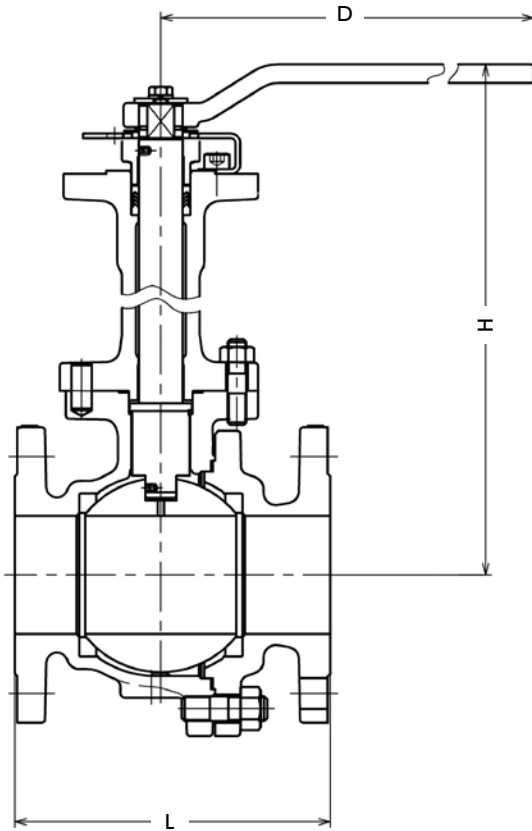


Range

Nominal size			mm																
			A	15	20	25	32	40	50	65	80	100	125	150	200	250	300	350	400
			B	1/2	3/4	1	1 1/4	1 1/2	2	2 1/2	3	4	5	6	8	10	12	14	16
10K	RF-flanged	10UTDZXL	L (flanged)	108	117	127	140	165	178	190	203	229	356	394	457	533	—	—	—
			H (full open)	228	231	268	272	300	309	373	383	458	482	572	677	724	—	—	—
			D	130	130	160	160	230	230	400	400	750	※	※	※	※	—	—	—
20K	RF-flanged	20UTDZXL	L (flanged)	140	152	165	178	190	216	241	283	305	381	403	502	—	—	—	—
			H (full open)	228	231	268	272	300	309	373	383	466	510	569	685	—	—	—	—
			D	130	130	160	160	230	230	400	400	※	※	※	※	—	—	—	—
Class 150	RF-flanged	150UTDZXL	L (flanged)	108	117	127	140	165	178	190	203	229	356	394	457	533	—	—	—
			H (full open)	228	231	268	272	300	309	373	383	458	482	572	685	724	—	—	—
			D	130	130	160	160	230	230	400	400	750	※	※	※	※	—	—	—
Class 300	RF-flanged	300UTDZXL	L (flanged)	140	152	165	—	190	216	241	283	305	—	403	502	—	—	—	—
			H (full open)	228	231	268	—	300	309	373	383	466	—	569	685	—	—	—	—
			D	130	130	160	—	230	230	400	400	※	—	※	※	—	—	—	—

※ Gear operation only. Please contact KITZ Corporation for details.

Class 150 / 300 Cast Carbon Steel Floating Ball Design, Full Bore



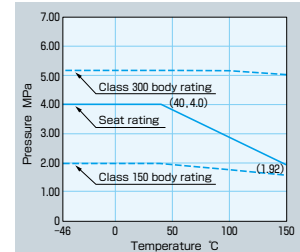
Design Specifications

Wall thickness	ASME B16.34
Face to face dimensions	ASME B16.10
Flange	ASME B16.5

Materials

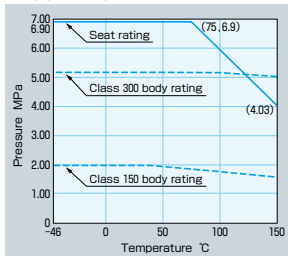
Name of parts	Materials
Body	LCC
Body cap	LCC
Bonnet	A350 Gr. LF2
Stem	SUS316 / XM-19HS
Ball	SUS316·SCS14A
Ball seat	HYPATITE PTFE
Gasket	Flexible graphite spiral wound Flexible graphite
Bonnet bolt	A320 Gr. L7M
Bonnet nut	A194 Gr. 7M
Gland packing	Flexible graphite

150SCTDZXCL 8, 10
300SCTDZXCL 8, 10

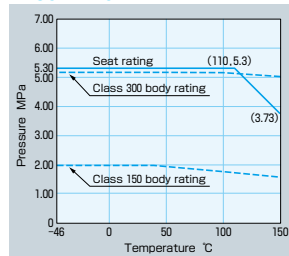


Pressure-Temperature Rating (Seat Rating)

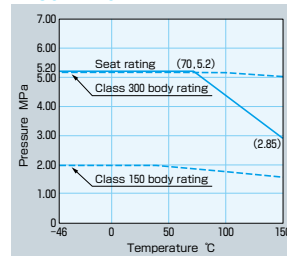
150SCTDZXCL 1/2, 3/4
300SCTDZXCL 1/2, 3/4



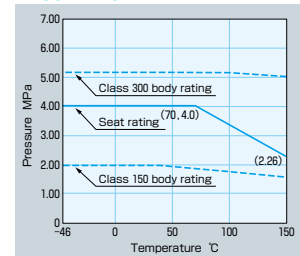
150SCTDZXCL 1 to 2
300SCTDZXCL 1 to 2



150SCTDZXCL 3, 4
300SCTDZXCL 3, 4



150SCTDZXCL 6
300SCTDZXCL 6



Range

Nominal size	A	B	mm															
			15	20	25	40	50	65	80	100	125	150	200	250	300	350	400	
Class 150 RF-flanged 150SCTDZXCL	L (flanged)	108	117	127	165	178	—	203	229	—	394	457	533	—	—	—	—	
	H (full open)	228	231	268	300	309	—	383	458	—	※	※	※	—	—	—	—	
	D	130	130	160	230	230	—	400	750	—	※	※	※	—	—	—	—	
Class 300 RF-flanged 300SCTDZXCL	L (flanged)	140	152	165	190	216	—	283	305	—	403	502	—	—	—	—	—	
	H (full open)	228	231	268	300	309	—	383	※	—	※	※	—	—	—	—	—	
	D	130	130	160	230	400	—	700	※	—	※	※	—	—	—	—	—	

※ Gear operation only. Please contact KITZ Corporation for details.