

BF6KZ / SCTAZM-FS Class 150/300 - Carbon Steel Ball Valves

Regular port, Uni-body, End entry design

Features

- Antistatic device
- Blowout-proof stem
- Fire test certification ★ (API 607, ISO 10497)
- High performance **HYPATITE®PTFE** ball seats
- ISO 5211 top mount and CAPI stem dimension
- Standards: **Design:** ISO 17292/API 608/ASME B16.34/BS 5351

Thickness: ISO 17292/ASME B16.34/BS 5351

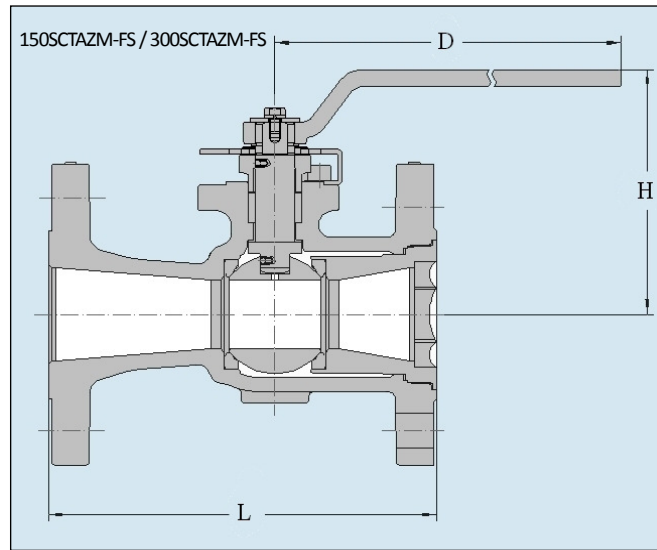
Flanges: ASME B16.5 **Lengths:** ASME B16.10

Fugitive emission: ISO 15848. **Leak Test:** Class VI acc. EN 12266-1 Rate A.

Page 5 for Pressure-Temperature Ratings

Page 21 for Construction and Materials

Page 24 for Dimension of Actuator Mounting Pad



Dimensions 150SCTAZM-FS / 300SCTAZM-FS

Unit: mm

Valve Size. NPS	Port	L		D		H		ISO 5211	Cv	Torque (N.m)		Weight (Kg)	
		A150	A300	A150	A300	A150	A300			A150	A300	A150	A300
1/2"	10	108	140	130	130	92	92	F03	8	3,1	3,9	1,6	2,1
3/4"	12,5	117	152	130	130	95	95	F03	12	3,5	4,2	2	3,1
1"	17,5	127	165	130	130	110	110	F03	24	6	7	2,6	4,2
1 1/2"	30	165	190	160	160	127	127	F05	96	10	15	4,8	8,1
2"	38	178	216	230	230	134	134	F07	141	22	30	8,3	11
3"	58	203	283	400	400	173	173	F10	296	40	87,7	17	25
4"	76	229	305	400	400	189	189	F10	483	65	160	27	38
6"	100	267	403	460	750	224	251	F12	957	125,4	300	44	74
8"	151	292	419	1000	1000	315	315	F14	1605	380	690	89	127
10"	187	330	457	1500	1500	392	392	F16	2600	650	1100	144	198

1 Cv = 1,16 Kv

Torque Values

The values shown are an average of the real values. These values have been taken under ideal conditions of clean water, room temperature, standard seats, daily handling and without safety rate.

Valve Operator

1/2" ~ 6" : Lever operation

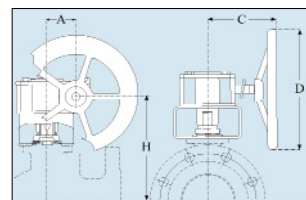
8" ~ 10" : Standard lever operation

8" ~ 10" : Optional gear operation

Gear Operation

Unit: mm

Class	150	300	Gear Operator							
			H		D		C		A	
			150	300	150	300	150	300	150	300
Valve Size (inch)	8"	8"	336	336	300	300	283	283	71	71
	10"	10"	400	400	400	400	337	337	86	86



Worm gear operators may be mounted on KITZ ball valves at your option for the smoothest valve operation. Electric or pneumatic actuators are also optionally available. Contact KITZ distributors for appropriate choice and sizing of valve actuators.

Construction and Materials

No.	Componente	150SCTAZM-FS
		300SCTAZM-FS
1	Body	ASTM A216 Gr.WCB
3	Antistatic Stem	ASTM A479/A276 Type 316
4	Ball	ASTM A276/A479 Type 316 or ASTM A351 Gr.CF8M
7	Gland	ASTM A351 Gr.CF8M
8	Gland Packing	Flexible graphite
9	Handle* ¹	EN1563 GJS 400-15
9A	Handle bar* ²	DIN 2441 St.37
9B	Handle head* ²	EN1563 GJS 400-15
16	Nameplate	Stainless Steel
19A	Primary Gasket	PTFE
19B	Secondary Gasket	Flexible graphite
20	Packing Washer	ASTM A276 Type 316L (up to 11/2")
29	Insert	ASTM A216 Gr.WCB or ASTM A105N
30	Ball Seat	HYPATITE®PTFE
36	Gland Bolt	Stainless Steel
40	Key Lock Plate	Stainless Steel
43	Handle-lock Plate	Stainless Steel
48	Snap Ring	Stainless Steel
49	Stopper	Stainless Steel
51	Stopper Plate	Stainless Steel
57	Gland Bush	PTFE 20% Glass Filled
58	Gland Washer	ASTM A240/A276 Type 304
67	Stem Bearing	PTFE 20% Glass Filled
123A	Handle Lock Plate Bolt	Stainless Steel
123B	Handle Bolt	Stainless Steel
124	Spring & Pin	ASTM A313 & A276 Type 316
126	Stopper Plate Bolt	Stainless Steel
145	Coned Disc Spring	Stainless Steel

■ Standard material configuration can be applied to sour service.

- *1 Class 150 (up to size 6")
Class 300 (un to size 4")
- *2 Class 150 (8" and over)
Class 300 (6" and over)

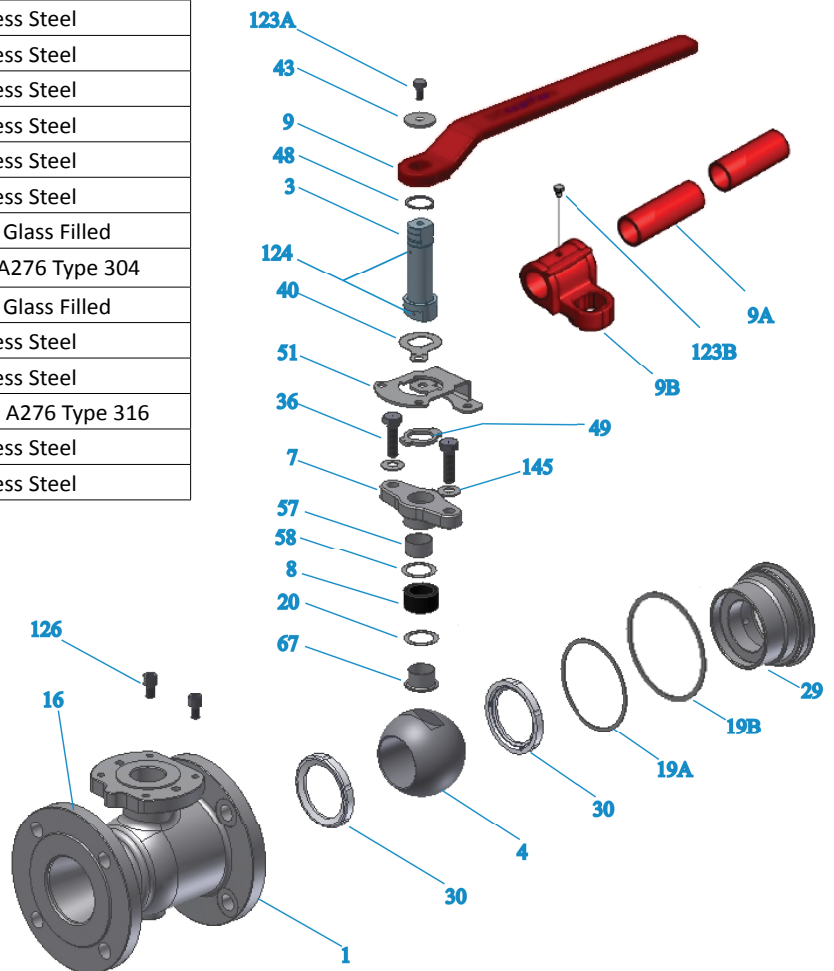


Illustration shows Size 1^{1/2}" design.

All part numbers are corresponding with those shown in valve assembly drawings.

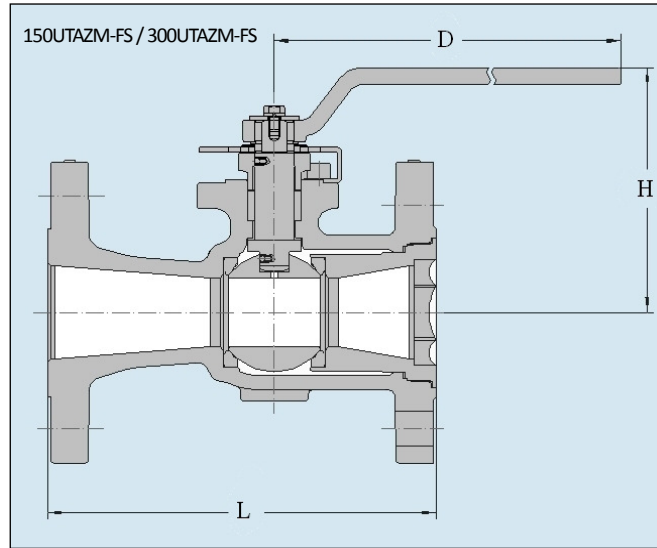
BF6KZ / UTAZM-FS Class 150/300 - Stainless Steel Ball Valves

Regular port, Uni-body, End entry design

Features

- Antistatic device
- Blowout-proof stem
- Fire test certification ★ (API 607, ISO 10497)
- High performance **HYPATITE®PTFE** ball seats
- ISO 5211 top mount and CAPI stem dimension
- Standards: **Design:** ISO 17292/API 608/ASME B16.34/BS 5351

Thickness: ISO 17292/ASME B16.34/BS 5351
Flanges: ASME B16.5 **Lengths:** ASME B16.10
Fugitive emission: ISO 15848. **Leak Test:** Class VI acc. EN 12266-1 Rate A.
 Page 5 for Pressure-Temperature Ratings
 Page 23 for Construction and Materials
 Page 24 for Dimension of Actuator Mounting Pad



Dimensions 150UTAZM-FS / 300UTAZM-FS

Unit: mm

Valve Size. NPS	Port	L		D		H		ISO 5211	Cv	Torque (N.m)		Weight (Kg)	
		A150	A300	A150	A300	A150	A300			A150	A300	A150	A300
1/2"	10	108	140	130	130	92	92	F03	8	3,1	3,9	1,6	2,1
3/4"	12,5	117	152	130	130	95	95	F03	12	3,5	4,2	2	3,1
1"	17,5	127	165	130	130	110	110	F03	24	6	7	2,6	4,2
1 1/2"	30	165	190	160	160	127	127	F05	96	10	15	4,8	8,1
2"	38	178	216	230	230	134	134	F07	141	22	30	8,3	11
3"	58	203	283	400	400	173	173	F10	296	40	87,7	17	25
4"	76	229	305	400	400	189	189	F10	483	65	160	27	38
6"	100	267	403	460	750	224	251	F12	957	125,4	300	44	74
8"	151	292	419	1000	1000	315	315	F14	1605	380	690	89	127
10"	187	330	457	1500	1500	392	392	F16	2600	650	1100	144	198

1 Cv = 1,16 Kv

Torque Values

The values shown are an average of the real values. These values have been taken under ideal conditions of clean water, room temperature, standard seats, daily handling and without safety rate.

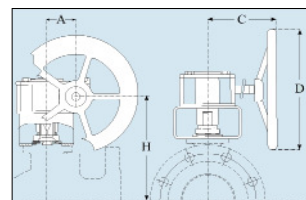
Valve Operator

- 1/2" ~ 6" : Lever operation
- 8" ~ 10" : Standard lever operation
- 8" ~ 10" : Optional gear operation

Gear Operation

Unit: mm

Class	150	300	Gear Operator							
			H		D		C		A	
			150	300	150	300	150	300	150	300
Valve Size (inch)	8"	8"	336	336	300	300	283	283	71	71
	10"	10"	400	400	400	400	337	337	86	86



Worm gear operators may be mounted on KITZ ball valves at your option for the smoothest valve operation. Electric or pneumatic actuators are also optionally available. Contact KITZ distributors for appropriate choice and sizing of valve actuators.

Construction and Materials

No.	Componente	150UTA2M-FS
		300UTA2M-FS
1	Body	ASTM A351 Gr.CF8M
3	Antistatic Stem	ASTM A479/A276 Type 316
4	Ball	ASTM A276/A479 Type 316 or ASTM A351 Gr.CF8M
7	Gland	ASTM A351 Gr.CF8M
8	Gland Packing	Flexible graphite
9	Handle* ²	EN1563 GJS 400-15
9A	Handle bar* ³	DIN 2441 St.37
9B	Handle head* ³	EN1563 GJS 400-15
16	Nameplate	Stainless Steel
19A	Primary Gasket	PTFE
19B	Secondary Gasket	Flexible graphite
20	Packing Washer	ASTM A276 Tipo 316L (only 1 1/2")
29	Insert* ¹	ASTM A351/A182/A276
30	Ball Seat	HYPATITE®PTFE
36	Gland Bolt	Stainless Steel
40	Key Lock Plate	Stainless Steel
43	Handle-lock Plate	Stainless Steel
48	Snap Ring	Stainless Steel
49	Stopper	Stainless Steel
51	Stopper Plate	Stainless Steel
57	Gland Bush	PTFE 20% Glass Filled
58	Gland Washer	ASTM A240/A276 Type 304
67	Stem Bearing	PTFE 20% Glass Filled
123A	Handle Lock Plate Bolt	Stainless Steel
123B	Handle Bolt	Stainless Steel
124	Spring & Pin	ASTM A313 & A276 Type 316
126	Stopper Plate Bolt	Stainless Steel
145	Coned Disc Spring	Stainless Steel

■ **Standard material configuration can be applied to sour service.**

- *1 ASTM A351 Gr.CF8M or A182 Gr.F316 or A276 Type 316.
- *2 Class 150 (up to size 6")
Class 300 (un to size 4")
- *3 Class 150 (8" and over)
Class 300 (6" and over)

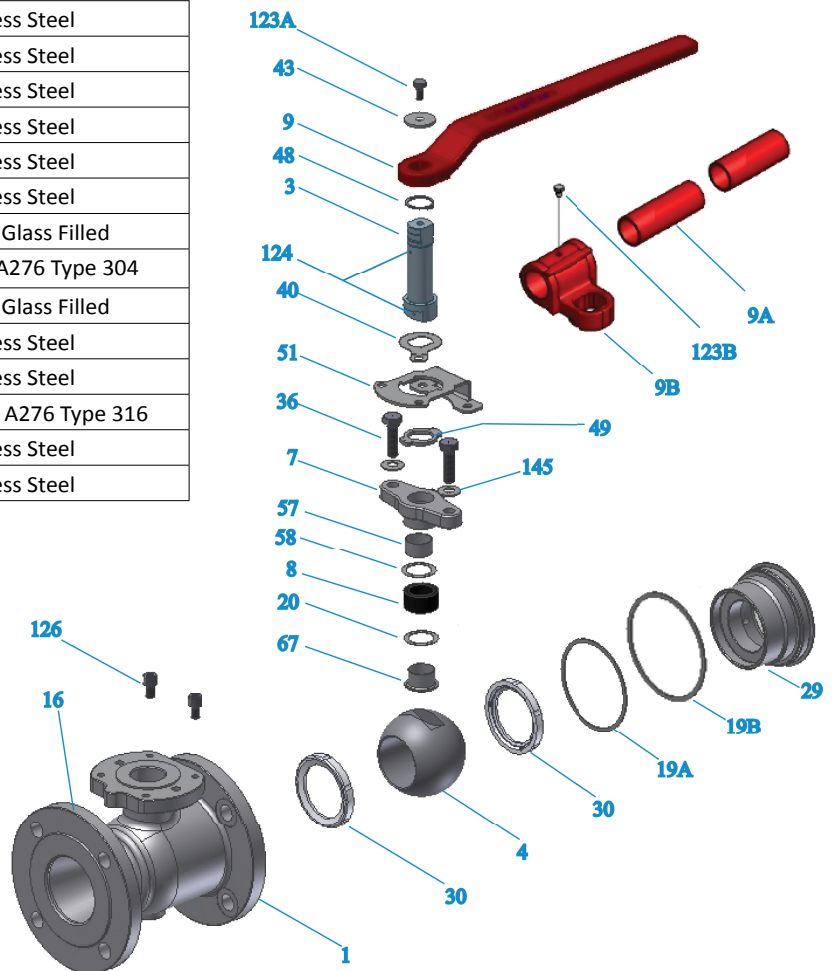


Illustration shows Size 1 1/2" design.

All part numbers are corresponding with those shown in valve assembly drawings.