

F14D - Class PN 10 - 16 - 25 - 40 Carbon Steel Ball Valves

Full port, Split body, Side entry design

Features

- Antistatic device
- Blowout-proof stem
- High performance **PTFE** ball seats
- Actuator mounting pad to ISO 5211
- Standards: **Design:** EN 1983:2006 **Thickness:** EN 12516-1
Flanges drilled: EN 1092 **Flanges surfaces:** EN 1092

Leak test: BS EN 12266-1 Class A & DIN 3230 **FSM:** BS 6755 P2

Lengths: Distance between flanges as per EN 558-1

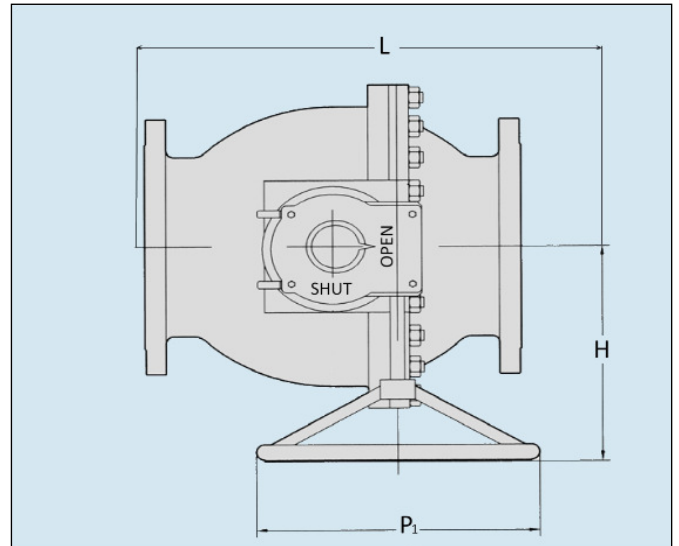
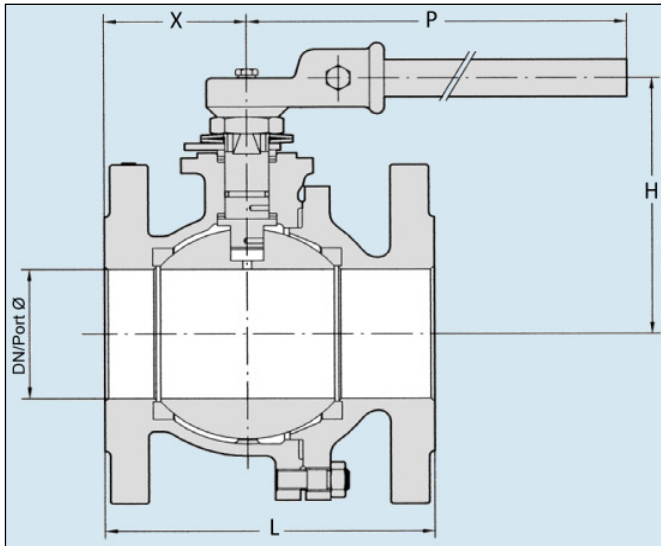
DN ≤ 100 basic serie 14 (Short)

DN ≥ 125 basic serie 15 (Short) - Serie 1 (Long)

Page 3 for Pressure-Temperature Ratings

Page 7 for Construction and Materials

Page 10 for Dimension of Actuator Mounting Pad



Dimensions of PN 10 - 16 - 25 - 40 F14D

Un: mm

Valve Size DN	Port	L		X	P	H	ISO 5211	Cv (m³/h)	Torque (N.m)		Weight (Kg)			
		Short	Long						PN16	PN40	PN10-16		PN25-40	
											Short	Long	Short	Long
15	14	115	130	50	150	85	F03	17	5	8	2,6	2,8	2,6	2,8
20	19	120	150	52	150	90	F03	39	6	8	3,3	3,6	3,3	3,6
25	25	125	160	55	150	104	F05	63	8	10	4,3	4,5	4,3	4,5
32	32	130	180	58	200	116	F05	104	15	20	6,5	6,7	6,5	6,7
40	38	140	200	60	200	118	F05	150	20	25	7,8	7,9	7,8	7,9
50	51	150	230	60	250	128	F07	254	25	35	11,9	12,5	11,9	12,5
65	65	170	290	75	250	138	F07	381	40	50	15	16,1	15,5	16,5
80	76	180	310	78	250	148	F07	971	60	90	20	22,5	21	23
100 ⁽¹⁾	102	190	350	95	500	196	F10	1560	120	175	33	39,6	34,5	40,2
125 ⁽²⁾	111	325	400	162.5	500	199	F10	2173	150	220	46	-	47	-
150	144	350	480	175	750	223	F10	4046	250	350	73	80	75,5	85
200	190	400	-	200	-	Gear operation	F14	8787	500	750	175 ⁽⁴⁾	-	185 ⁽⁴⁾	-
250 ⁽³⁾	241	450	-	225	-	Gear operation	F14	14452	1000	1400	230 ⁽⁴⁾	-	250 ⁽⁴⁾	-
300	285	500	-	250	-	Gear operation	F16	22893	1500	2000	305 ⁽⁴⁾	-	370 ⁽⁴⁾	-

- *1 PN 25-40:
Ball Bore=95
X= 85
H=190
- *2 PN 25-40:
P=750
- *3 PN 25-40:
H=396
- *4 Gear Box
included

1 Cv = 1,16 Kv

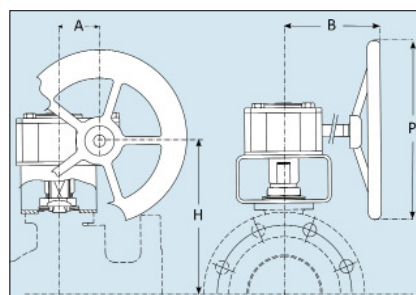
Torque Values

The values shown are an average of the real values. These values have been taken under ideal conditions of clean water, room temperature, standard seats, daily handling and without safety rate.

Gear Operation

Un: mm

Class	DN	PN	Gear Operator			
			H	P ₁	B	A
Valve Size (Dn)	100	16-40	-	300	282	71
	125		-	300	282	71
	150		-	300	282	71
	200	10-16	342	400	340	86
	250		378	400	340	86
	300		378	500	365	130
		10-40	440	500	365	130



Valve Operator

- Dn 15 ~ 150 : lever operation
- Dn 100 ~ 150 : optional gear box
- Dn 200 : gear box or lever (optional)

Worm gear operators may be mounted on KITZ ball valves at your option for the smoothest valve operation. Electric or pneumatic actuators are also optionally available. Contact KITZ distributors for appropriate choice and sizing of valve actuators.

Construction and Materials

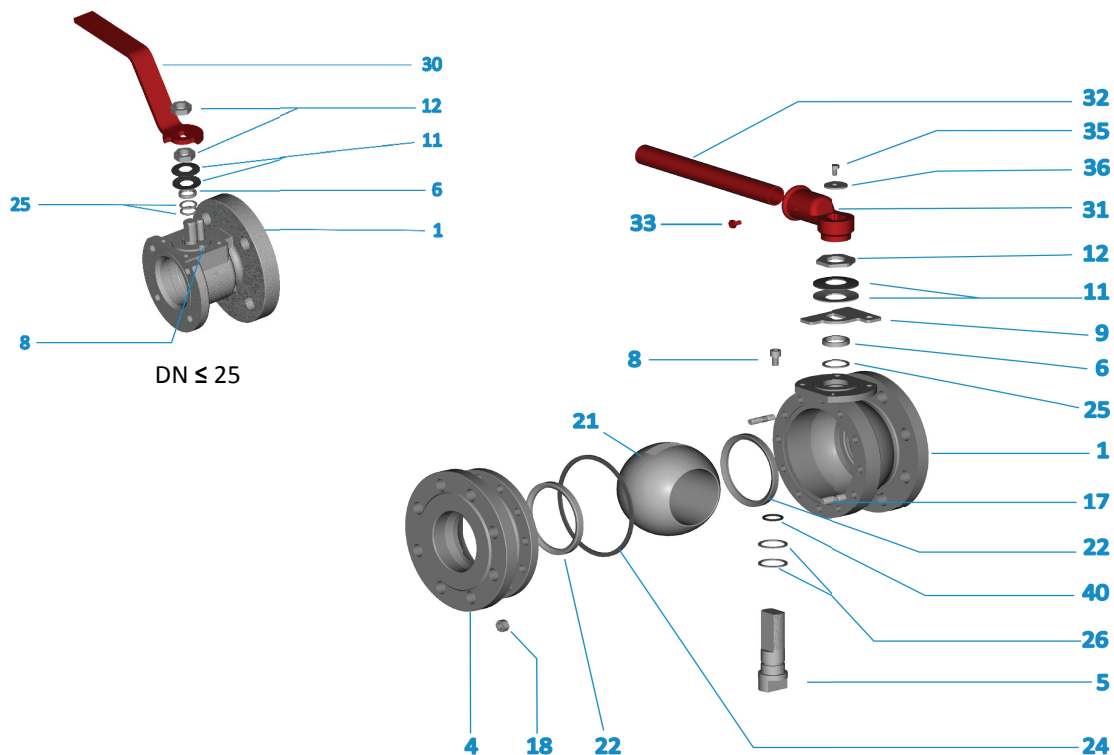
No.	Parts	Standard
		PN 10 - 16 - 25 - 40
1	Body	DIN 1.0619
4	Body Connector	DIN 1.0619
5	Antistatic Stem*1	ASTM A479 Type 316 / 410
6	Gland Ring	ASTM A479 Type 316
8	Stop Pin	Steel
9	Stop Plate	Steel zinc plated
11	Gland Washer	Steel zinc plated
12	Nut	DIN 267/3-8 blued
17	Stud Bolt-Bolt	DIN 267/3/4 C 8.8/8 / zinc plated
18	Nut	DIN 267/3/4 C 8.8/8 / zinc plated
21	Ball*2	ASTM A479 Type 316/CA15 / DIN 1.4408
22	Ball Seat	PTFE
24	Body Seal*4	PTFE / 316L+ Flexite®
25	Gland Packing*3	PTFE+C+Graphite / PTFE
26	Stem Seal*5	PTFE+C+Graphite / PTFE
30	Handle	Steel coated
31	Handle head	GGG40
32	Handle bar	GGG40
33	Handle bar bolt	Stainless Steel
35	Bolt	Steel
36	Washer	Steel
40	Stem O'ring	FKM

■ Standard material configuration can be applied to sour service.

- *1 DN ≤ 50 : ASTM A479 Type 316
50 < DN < 250 : ASTM A479 Type 410
DN ≥ 250 : ASTM A479 Type 316
- *2 DN ≤ 50 : ASTM A479 Type 316
50 < DN < 250 : ASTM A217/A743 Gr. CA15
DIN 1.4408 (Optional)
DN ≥ 250 : DIN 1.4408
- *3 DN ≤ 25 : PTFE+C+Graphite
DN > 25 : PTFE
Cod. FSM : Graphite (Optional)
- *4 DN ≤ 25 : PTFE
DN > 25 : 316L+ Flexite®
Cod. FSM : 316L+Graphite (Optional)
- *5 DN ≤ 25 : PTFE+C+Graphite
DN > 25 : PTFE

Valve finish : phosphate and oil dipped.

Operation group : DN ≤ 150: by lever. (100 ~150 option: gear box)
DN = 200: by gear box or with lever (Optional)
DN > 200: by gear box.



All part numbers are corresponding with those shown in valve assembly drawings.

F14D - Class PN 10 - 16 - 25 - 40 Stainless Steel Ball Valves

Full port, Split body, Side entry design

Features

- Antistatic device
- Blowout-proof stem
- High performance **PTFE** ball seats
- Actuator mounting pad to ISO 5211
- Standards: **Design:** EN 1983:2006 **Thickness:** EN 12516-1
Flanges drilled: EN 1092 **Flanges surfaces:** EN 1092

Leak test: BS EN 12266-1 Class A & DIN 3230 **FSM:** BS 6755 P2

Lengths: Distance between flanges as per EN 558-1

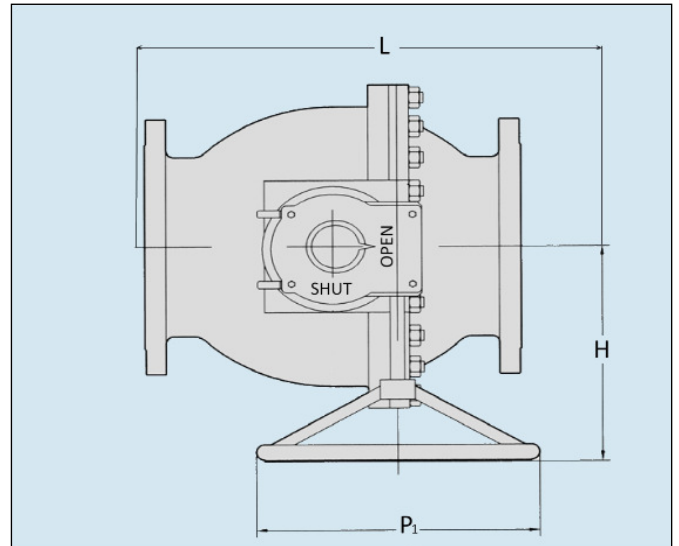
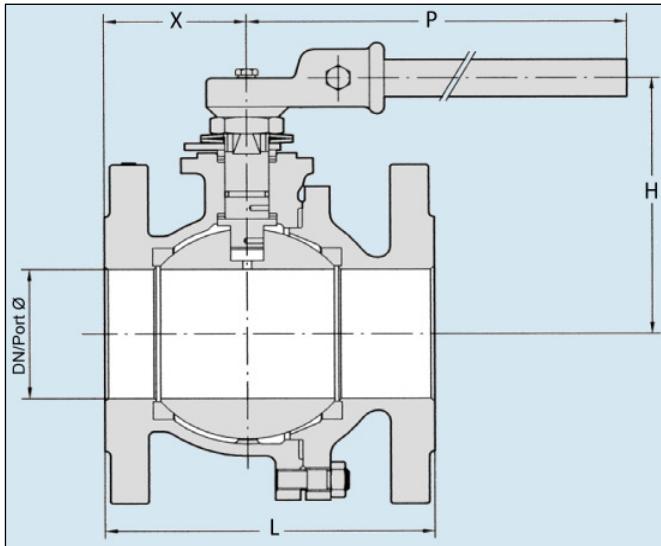
DN ≤ 100 basic series 14 (Short)

DN ≥ 125 basic series 15 (Short) - Serie 1 (Long)

Page 3 for Pressure-Temperature Ratings

Page 9 for Construction and Materials

Page 10 for Dimension of Actuator Mounting Pad



Dimensions of PN 10-16 - 25 - 40 F14D

Un: mm

Valve Size DN	Port	L		X	P	H	ISO 5211	Cv (m ³ /h)	Torque (N.m)		Weight (Kg)			
		Short	Long						PN16	PN40	PN10-16		PN25-40	
											Short	Long	Short	Long
15	14	115	130	50	150	85	F03	17	5	8	2,6	2,8	2,6	2,8
20	19	120	150	52	150	90	F03	39	6	8	3,3	3,6	3,3	3,6
25	25	125	160	55	150	104	F05	63	8	10	4,3	4,5	4,3	4,5
32	32	130	180	58	200	116	F05	104	15	20	6,5	6,7	6,5	6,7
40	38	140	200	60	200	118	F05	150	20	25	7,8	7,9	7,8	7,9
50	51	150	230	60	250	128	F07	254	25	35	11,9	12,5	11,9	12,5
65	65	170	290	75	250	138	F07	381	40	50	15	16,1	15,5	16,5
80	76	180	310	78	250	148	F07	971	60	90	20	22,5	21	23
100 ⁽¹⁾	102	190	350	95	500	196	F10	1560	120	175	33	39,6	34,5	41
125 ⁽²⁾	111	325	400	162.5	500	199	F10	2173	150	220	46	-	47	-
150	144	350	480	175	750	223	F10	4046	250	350	73	80	75,5	85
200	190	400	-	200	-	Gear operation	F14	8787	500	750	175 ⁽⁴⁾	-	185 ⁽⁴⁾	-
250 ⁽³⁾	241	450	-	225	-	Gear operation	F14	14452	1000	1400	230 ⁽⁴⁾	-	250 ⁽⁴⁾	-
300	285	500	-	250	-	Gear operation	F16	22893	1500	2000	305 ⁽⁴⁾	-	370 ⁽⁴⁾	-

¹ Cv = 1,16 Kv

- *1 PN 25-40:
Ball Bore=95
X= 85
H=190
- *2 PN 25-40:
P=750
- *3 PN 25-40:
H=396
- *4 Gear Box
included

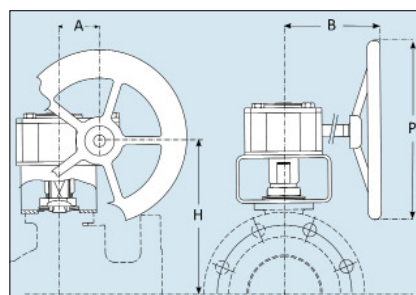
Torque Values

The values shown are an average of the real values. These values have been taken under ideal conditions of clean water, room temperature, standard seats, daily handling and without safety rate.

Gear Operation

Un: mm

Class	DN	PN	Gear Operator			
			H	P ₁	B	A
Valve Size (Dn)	100	16-40	-	300	282	71
	125		-	300	282	71
	150		-	300	282	71
	200	10-16	342	400	340	86
	250		378	400	340	86
	300		378	500	365	130
		10-40	440	500	365	130



Valve Operator

- Dn 15 ~ 150 : lever operation
- Dn 100 ~ 150 : optional gear box
- Dn 200 : gear box or lever (optional)

Worm gear operators may be mounted on KITZ ball valves at your option for the smoothest valve operation. Electric or pneumatic actuators are also optionally available. Contact KITZ distributors for appropriate choice and sizing of valve actuators.

Construction and Materials

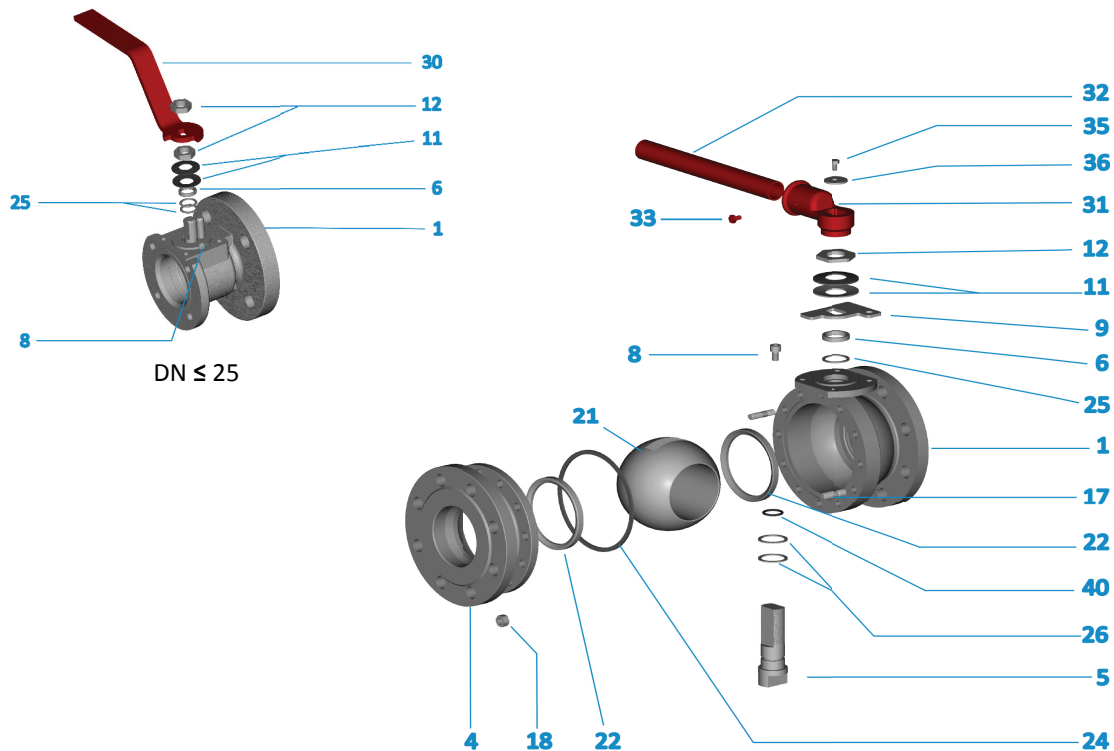
No.	Parts	Standard
		PN 10 - 16 - 25 - 40
1	Body	DIN 1.4408
4	Body Connector	DIN 1.4408
5	Antistatic Stem	ASTM A479 Type 316
6	Gland Ring	ASTM A479 Type 316
8	Stop Pin	DIN 267/11 A2-70
9	Stop Plate	Steel nickel plated
11	Gland Washer	DIN 1.4122 (SS)
12	Nut	DIN 267/11 A2-70
17	Stud Bolt-Bolt*5	DIN 267/11/ A2-70 / 267/3 zinc plated
18	Nut*5	DIN 267/11/ A2-70 / 267/3 zinc plated
21	Ball*1	ASTM A479 Type 316 / 1.4408
22	Ball Seat	PTFE
24	Body Seal*3	PTFE / 316L+Flexite®
25	Gland Packing*2	PTFE+C+Graphite / PTFE
26	Stem Seal*4	PTFE+C+Graphite / PTFE
30	Handle	SS+Plastic
31	Handle head	GGG40
32	Handle bar	GGG40
33	Handle bar bolt	Stainless Steel
35	Bolt	Stainless Steel
36	Washer	Stainless Steel
40	Stem O'ring	FKM

■ Standard material configuration can be applied to sour service.

- *1 DN ≤ 32 : ASTM A479 Type 316
DN > 32 : DIN 1.4408
- *2 DN ≤ 25 : PTFE+C+Graphite
DN > 25 : PTFE
Cod. FSM : Graphite (Optional)
- *3 DN ≤ 25 : PTFE
DN > 25 : 316L+ Flexite®
Cod. FSM : 316L+Graphite (Optional)
- *4 DN ≤ 25 : PTFE+C+Graphite
DN > 25 : PTFE
- *5 **PN 10 - 16**
DN ≤ 250 : DIN 267/11 A2-70
DN > 250 : DIN 267/3 C8.8 zinc plated
PN 25 - 40
DN ≤ 150 : DIN 267/11 A2-70
DN > 150 : DIN 267/3 C8.8 zinc plated

Valve finish : (SS) Natural.

Operation group: DN ≤ 150: by lever. (100 ~150 option: gear box)
DN = 200: by gear box or with lever (Optional)
DN > 200: by gear box.



All part numbers are corresponding with those shown in valve assembly drawings.